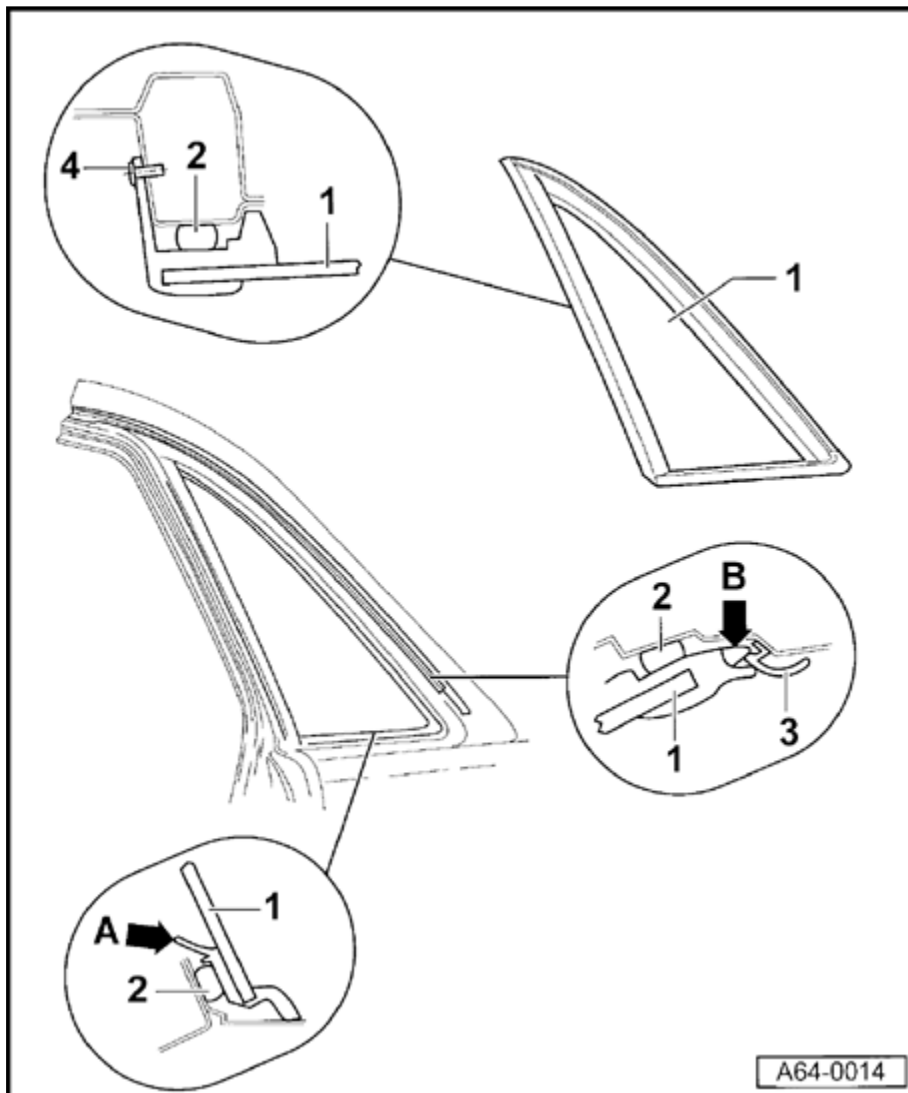


**Audi > B5 Platform > 1996 - 2002**  
**Body Exterior**  
**64 - Glass, Window regulators**

**Assembly overview**



Removing rear seat bottom and seat back => Repair Manual, Body-Interior, Repair Group 72.

= Unclip rear shelf.

Removing C-pillar trim => Repair Manual, Body-Interior, Repair Group 70

**Side window**

\* Removing => page [64-22](#)

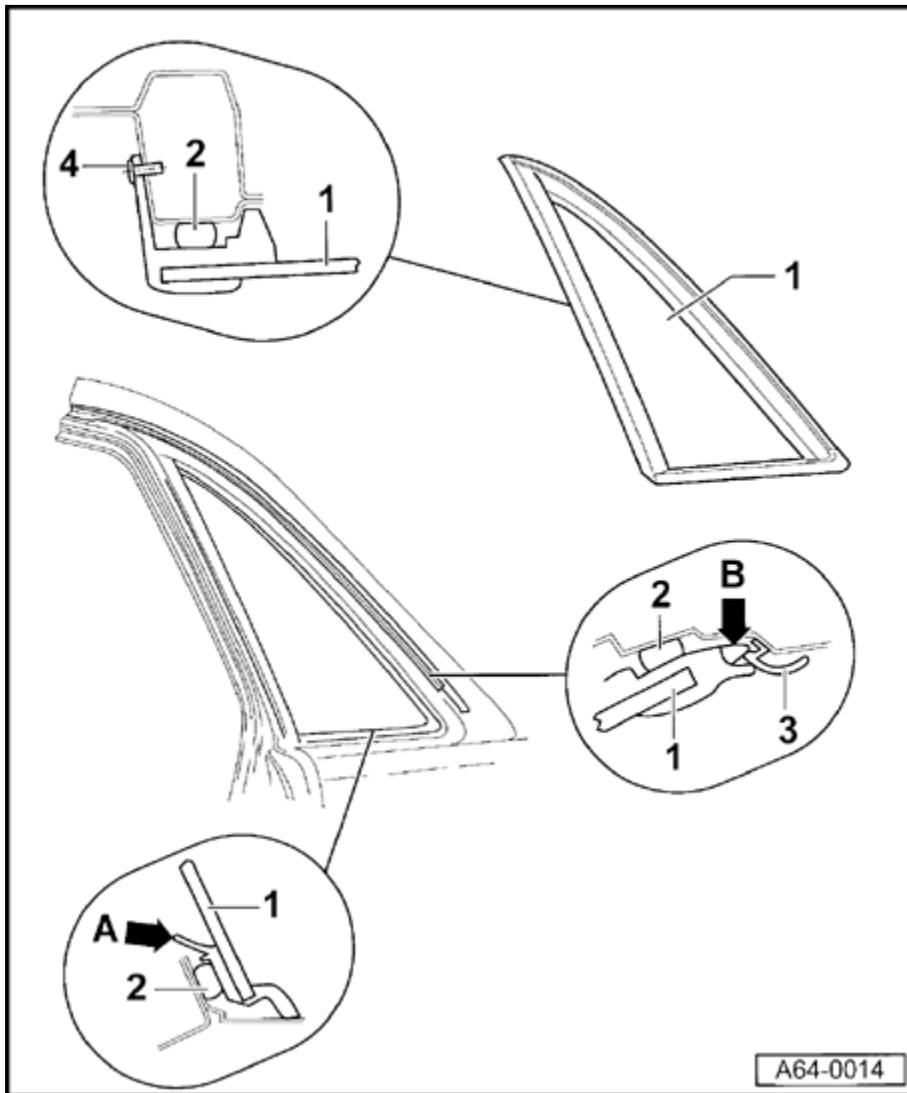
- Bend cover clip up (arrow -A-) and secure on glass so that it will not be damaged during removal by cutting cord.

**2 - Adhesive bead**

- \* Dimensions for applying adhesive bead => page [64-26](#)

**3 - Roof trim molding**

- \* When installing window, PVC molding lug must be inserted under roof trim molding



**4 - Hollow rivet**

- Before removing window, drill off hollow rivets and remove.