



# Technical Service Bulletin

---

## 34 Oil leak at the transmission connector

34 20 47 2058875/1 March 24, 2020.

Model(s)	Year	VIN Range	Vehicle-Specific Equipment
A4	2017 - 2020	All	0CK, 0CL, 0CJ, 0HL and 0DK Transmissions
A6	2016 – 2020	All	0CK, 0CL, 0CJ, 0HL and 0DK Transmissions
A7	2019 - 2020	All	0CK, 0CL, 0CJ, 0HL and 0DK Transmissions
A5, Q5	2018 - 2020	All	0CK, 0CL, 0CJ, 0HL and 0DK Transmissions

## Condition

### Customer states:

- There is oil leaking from the vehicle.

### Workshop findings:

- There is oil leaking from the transmission control module seal (Figure 1).



*Figure 1. Evidence of oil leak from the transmission control module seal.*

## Technical Background

There are two distinct causes:

1. Residual oil from the manufacturing of the transmission (lubrication of seal when installing the control module in transmission housing).
2. Overlap of seal on the transmission control module connector is not sufficient in all tolerances.



# Technical Service Bulletin

---

## Production Solution

Not applicable.

## Service

1. If the oil leak is confirmed to be from the area of the transmission control module seal proceed as follows:
  - Unplug the transmission control module connector and lift the dust cover below the connector to view the sealing area cavity (Figure 2).



**Figure 2.** Dust cover lifted to view the sealing area.

2. Check whether this area has a thin film of oil or if there is an accumulation of oil:
  - Assess the oil leak condition in the indent under the dust cover. This is easily viewable with a flashlight and a mirror.
  - If there is a thin film of oil in the cavity (Figure 3) proceed to Step 2.
  - If there is a puddle of oil in the cavity (a millimeter or more) proceed to Step 4 (Figure 4).

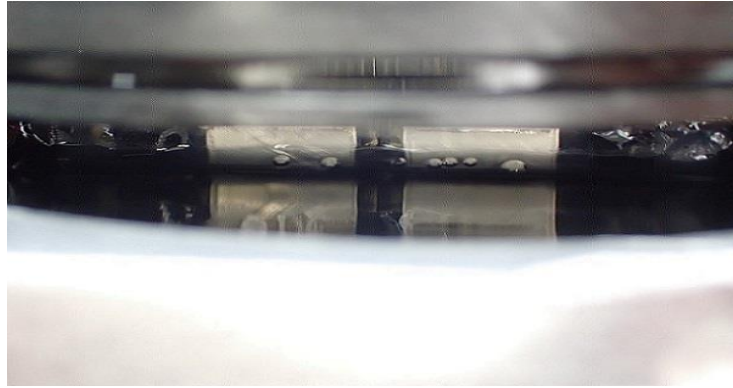


**Figure 3.** A thin film of oil in the cavity.



# Technical Service Bulletin

---



**Figure 4.** A puddle of oil in the cavity.

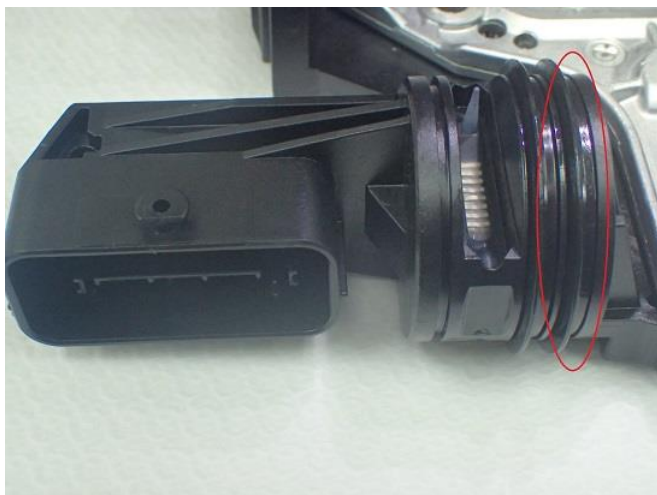
3. Repair/Diagnosis steps for a thin film of oil in the cavity:
  - *Very thoroughly clean the area* and spray the affected area with oil leak detection spray (Part # G 001 900 A1 or a locally available talcum based oil leak detection spray equivalent).
  - Perform an extensive test drive and assess the oil in the cavity again.
  - If there is no more oil accumulation, it is not necessary to fit a new seal. No further repair is required and the repair is complete. The film of oil was most likely from the assembly of the transmission.
  - If there is oil moisture visible again continue to Step 4.
4. Repair steps for oil leaking from the transmission control unit seal:
  - Save pictures of the oil leak with the Repair Order for warranty purposes.
  - When the transmission was manufactured, a single seal was installed on the transmission control unit but there is an option for a second lower seal (Figure 5). To repair the oil leak we will replace the original seal and add a second seal in the lower position (Figure 6).



# Technical Service Bulletin

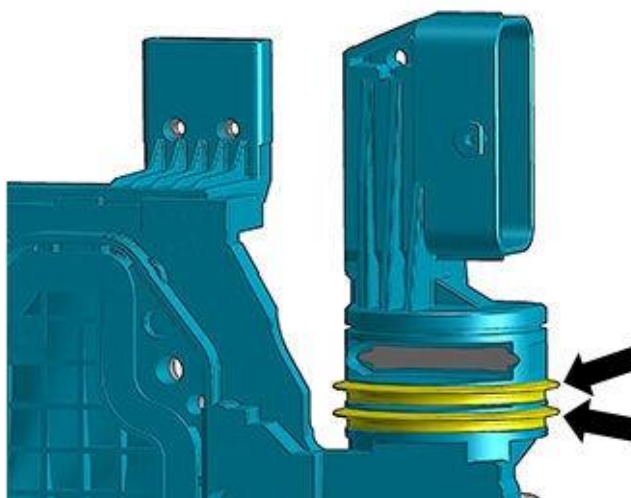


**Figure 5.** Option for 2<sup>nd</sup> seal.



**Figure 6.** Lower seal installed.

- Remove the mechatronics unit per the repair manual.
- Remove the original seal from the transmission control module.
- Install two new seals with the sealing lip on the side of the electrical connection (Figure 7).
- Reinstall the mechatronics unit per the repair manual.
- Clear any faults that may have been set during the repair.
- Test drive and confirm the leak is repaired.



**Figure 7.** Seal installation.

## Warranty

<b>Claim Type:</b>	<ul style="list-style-type: none"><li>• 110 up to 48 Months/50,000 Miles.</li><li>• G10 for CPO Covered Vehicles – Verify Owner.</li><li>• If the vehicle is outside any warranty, this Technical Service Bulletin is informational only.</li></ul>
<b>Service Number:</b>	3481



# Technical Service Bulletin

<b>Damage Code:</b>	0050		
<b>Labor Operations:</b>	Check control unit (check connector for oil loss as described in TSB)	3481 0199	20 TU
	Clean control module (clean as described in TPI and treat with talcum spray)	3481 2999	30 TU
	Check transmission (after test drive check connector again for leaks)	3435 0199	20 TU
	Remove and install the mechatronic unit with associated operations based on optional equipment (Only claim if Step 4 is required)	3511 1900	See SRT
<b>Diagnostic Time:</b>	GFF	0150 0000	Time stated on the diagnostic protocol (Max 40 TU)
	Road test prior to service procedure	0121 0002	10 TU
	Road test after service procedure	0121 0004	10 TU
<b>Claim Comment:</b>	As per TSB #2058875/1		

All warranty claims submitted for payment must be in accordance with the *Audi Warranty Policies and Procedures Manual*. Claims are subject to review or audit by Audi Warranty.

## Required Parts and Tools

Always check with your Parts Department and/or ETKA for the latest information and parts bulletins.		
Part Number	Part Description	Quantity
See ETKA	Fasteners, Bolts, Nuts, and Screws as needed per the Repair Manual	See ETKA/ELSA
0CK927523	Gasket	02

## Additional Information

All parts and service references provided in this TSB (2058875) are subject to change and/or removal.



# Technical Service Bulletin

---

©2020 Audi of America, Inc. All rights reserved. Information contained in this document is based on the latest information available at the time of printing and is subject to the copyright and other intellectual property rights of Audi of America, Inc., its affiliated companies and its licensors. All rights are reserved to make changes at any time without notice. No part of this document may be reproduced, stored in a retrieval system, or transmitted in any form or by any means, electronic, mechanical, photocopying, recording, or otherwise, nor may these materials be modified or reposted to other sites without the prior expressed written permission of the publisher.