



Vehicle

System

Repair Group

Previous Topic

Next Topic

Technical Bulletins

Wiring Diagrams

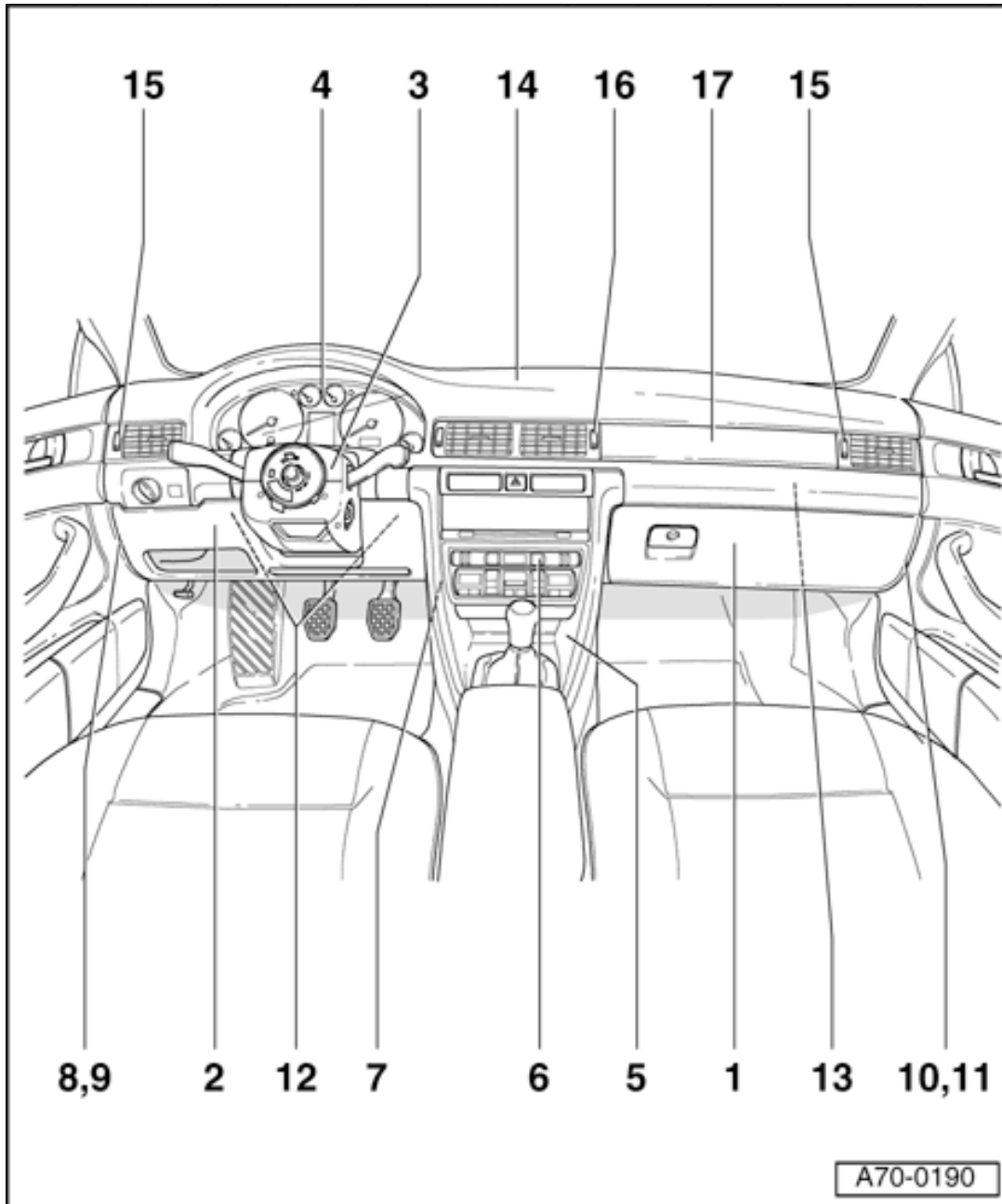
Warnings & Cautions

Print

Search

Advanced Search

eBahn®
Version: 2.5r01sp0003



Instrument panel

Component locations, overview

1 - Glove box

Removing ⇒ [Page 68-1](#)

2 - Driver's storage compartment

Removing ⇒ [Page 68-7](#)

3 - Steering column switch

Removing ⇒ [Page 70-55](#)

4 - Removing instrument cluster

⇒ *Repair Manual, Electrical Equipment, Repair Group 90; Servicing instrument cluster; Removing and installing instrument cluster*

5 - Front section of center console

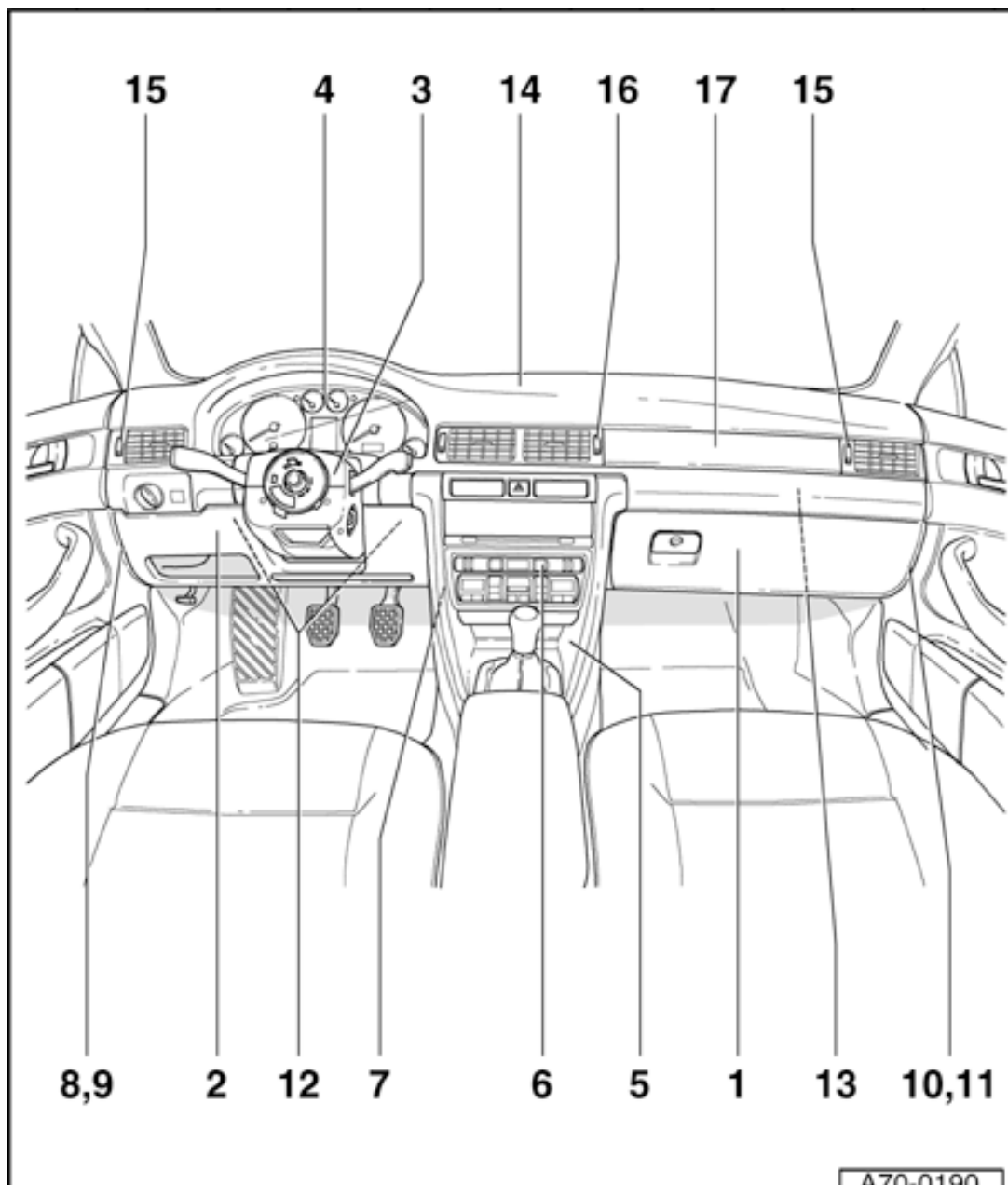
A70-0190

Removing ⇒ [Page
68-28](#)

**6 - Center section of
instrument panel**

Removing ⇒ [Page
68-31](#)

70-52



**7 - Reinforcing bracket
for center section of
instrument panel**

Removing ⇒ [Page
70-57](#)

**8 - Instrument panel
end trim (left)**

Removing ⇒ [Page
70-58](#)

**9 - Instrument panel
end mounting
screws (left)**

Removing ⇒ [Page
70-58](#)

**10 - Instrument panel
end trim (right)**

Removing ⇒ [Page
70-59](#)

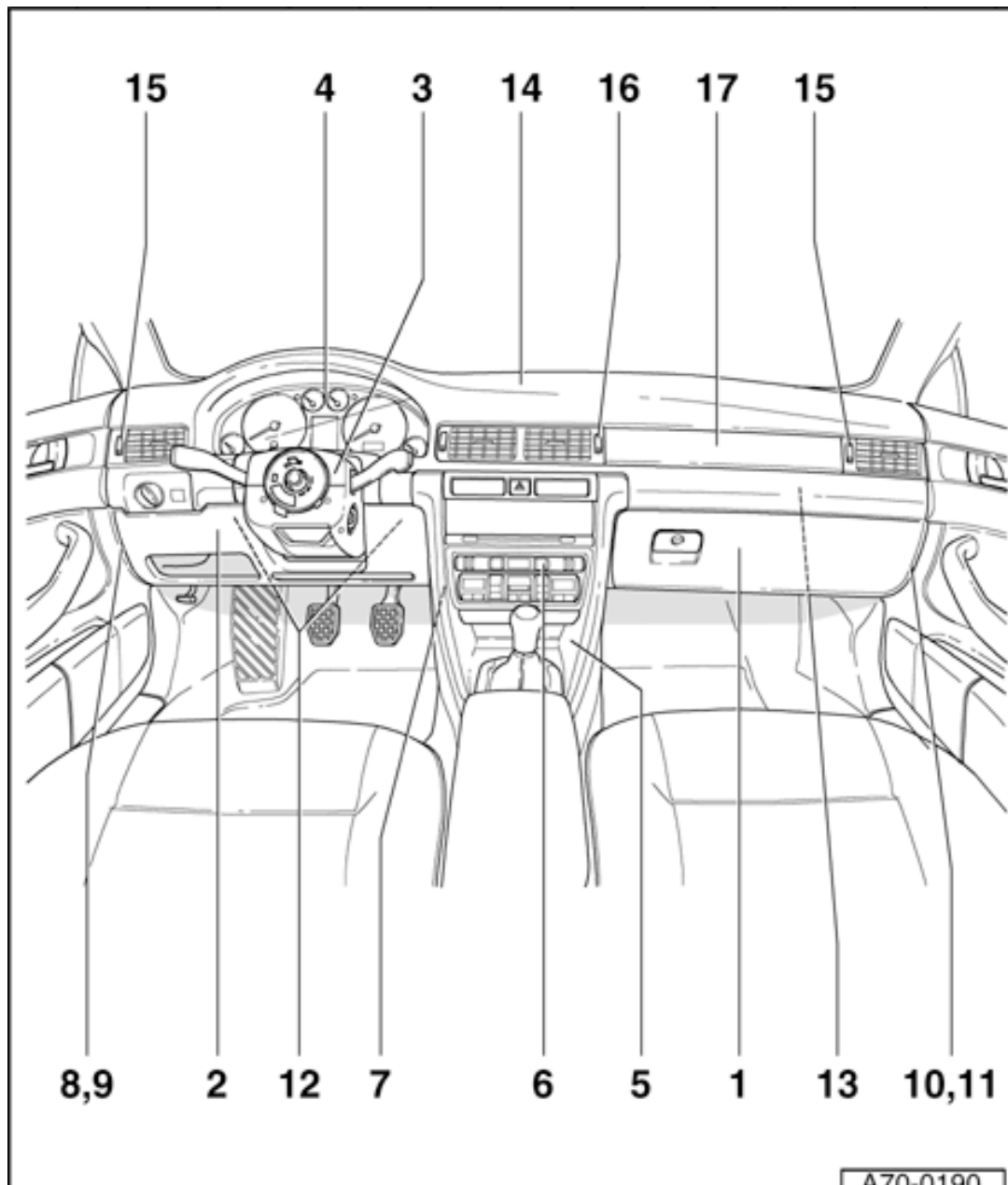
**11 - Instrument panel
end mounting
screws (right)**

Removing ⇒ [Page
70-59](#)

A70-0190

12 - Instrument panel mounting screws (driver's side)

Removing ⇒ [Page
70-60](#)



**13 - Passenger side
airbag**

Detaching ⇒ [Page
70-60](#)

14 - Photosensor

Removing ⇒ [Page
70-61](#)

**15 - Connectors for side
vent lighting and
temperature sensor**

Detaching ⇒ [Page
70-62](#)

**16 - Connector for center
vent lighting**

Detaching ⇒ [Page
70-62](#)

**17 - Trim strip for
instrument panel**

Removing ⇒ [Page
70-65](#)

70-54



Instrument panel, removing

WARNING!

Refer to parts list for correct combination of instrument panel and passenger side airbag unit.

Note:

Determining the correct coding for the anti-theft radio before removing.

Removing

CAUTION!

On vehicles equipped with Audi Telematics by OnStar[®], switch-off the emergency (back-up) battery for the Telematic/Telephone Control Module prior to disconnecting the vehicle battery. Switch-on the emergency (back-up) battery after reconnecting the vehicle battery ⇒ [Repair Manual, Communication, Repair Group 01](#) .

- Disconnect battery Ground (GND) strap at battery.

- Remove driver's side airbag unit ⇒ [Page 69-86](#) .

- Remove steering wheel ⇒ [Page 69-91](#) .

- Remove instrument cluster.

⇒ *Repair Manual, Electrical Equipment, Repair Group 90; Servicing instrument cluster; Removing and installing instrument cluster*

70-55

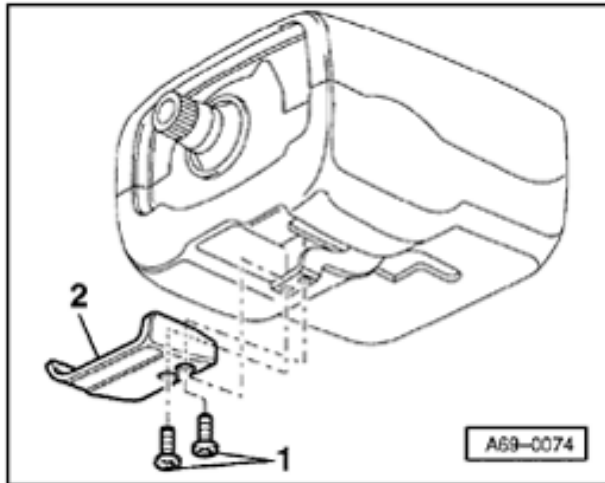


- Remove driver's storage compartment ⇒ [Page 68-7](#) .
- Remove glove box ⇒ [Page 68-1](#) .
- Remove rear section of center console ⇒ [Page 68-9](#) .
- Remove front section of center console ⇒ [Page 68-28](#) .
- Removing center section of instrument panel (on vehicles with "Chorus" and "Concert" radios) ⇒ [Page 68-31](#) .
- Removing center section of instrument panel (on vehicles with "Symphony" radio and "radio-navigation system plus" ⇒ [Page 68-32](#) .

Removing steering column switch

- Driver's side airbag unit and steering wheel removed.

- Pull out steering column and tilt downward as far as it will go.

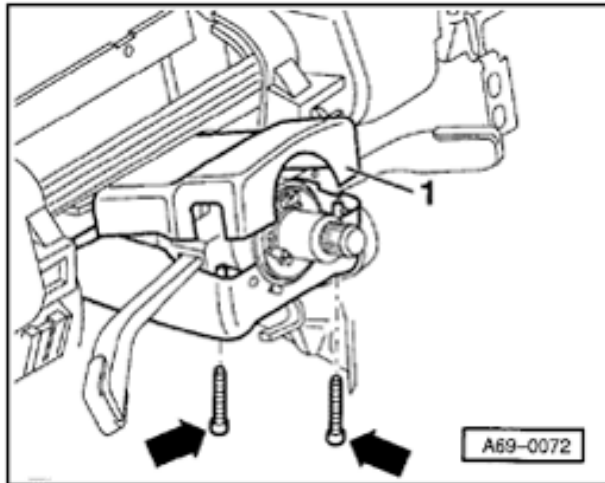


- Remove screws -1- (2x).

Tightening torque: 2.8 Nm (25.2 in lb)

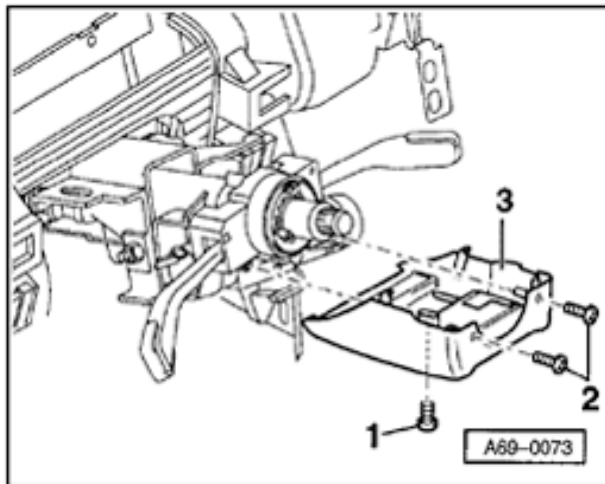
- Remove grip - 2-.

70-56



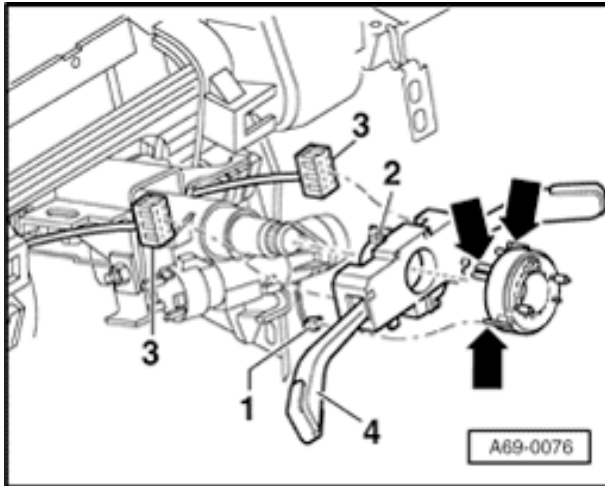
- ▲ - Remove two Phillips-head screws - arrows-.
- Tightening torque: 0.6 Nm (5.4 in lb)
- Remove upper steering column switch trim - 1-.

When installing, insert upper section into hooks on lower section, swivel downward and secure with screws.



- ▲ - Remove screws -2- (2x).
- Tightening torque: 0.6 Nm (5 in lb)
- Remove hex socket head bolt - 1-.
- Tightening torque: 0.6 Nm (5 in lb)
- Remove lower steering column switch trim - 3-.

70-57



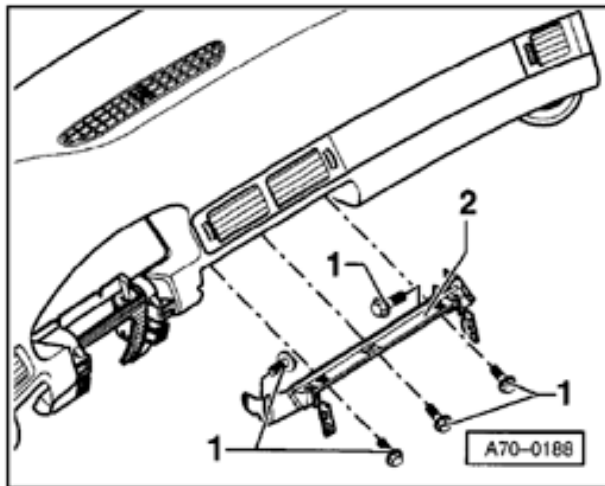
- Separate connection - 1-.
- Release locking lugs -arrows- and pull coil connector with slip ring off steering column switch.

Note:

The steering must be in the center position (wheels in straight-ahead position) when the coil connector and slip ring are removed and installed.

- Remove screw - 2-.
- Tightening torque: 2.8 Nm (25 in lb)
- Disconnect connectors -3- (2x).
- Remove steering column switch - 4-.

Removing reinforcing bracket



- Remove screws -1- (5x).

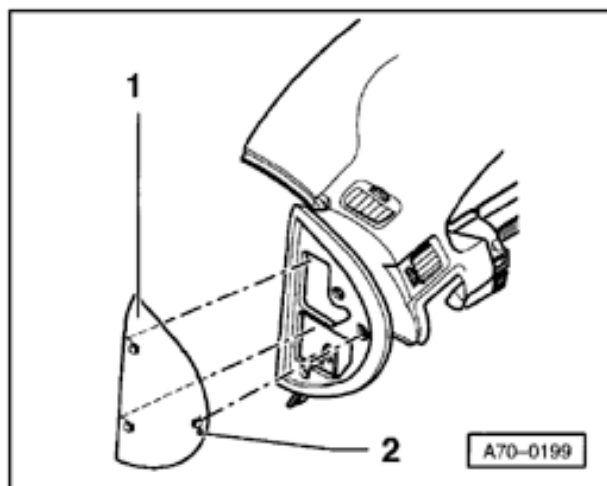
Tightening torque: 4 Nm (35 in lb)

- Remove reinforcing bracket -2-.

70-58

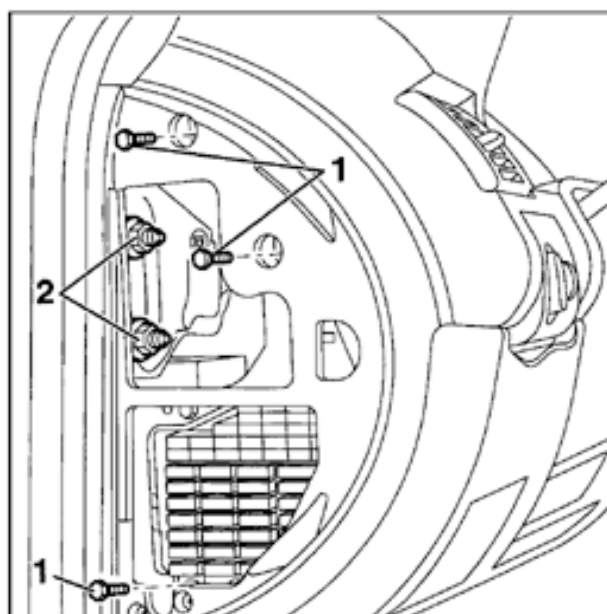


Removing instrument panel end trim (left)



- ▲ - Use screwdriver to unclip left-hand instrument panel end trim.

Removing instrument panel end mounting screws (left)

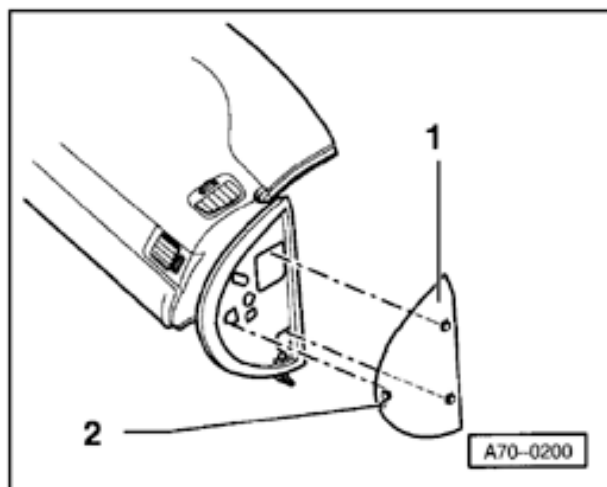


- ▲ - Remove screws -1- (3x). Tightening torque: 4 Nm (35 in lb)

70-59

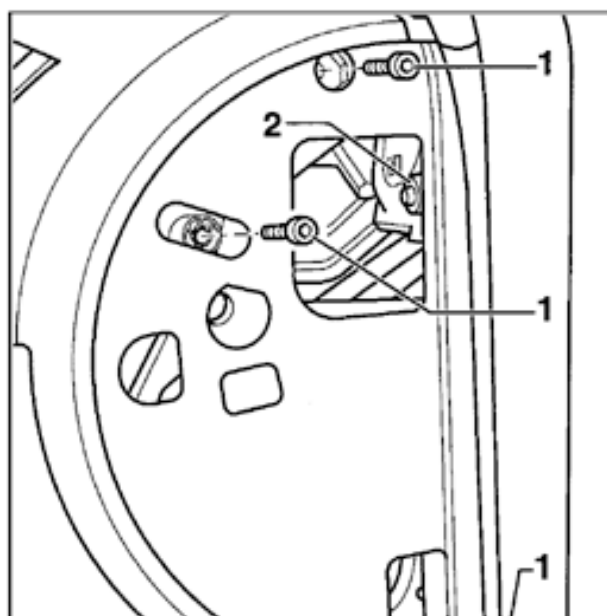


Removing instrument panel end trim (right)



- ▲ - Use screwdriver to unclip right-hand instrument panel end trim.

Removing instrument panel end mounting screws (right)

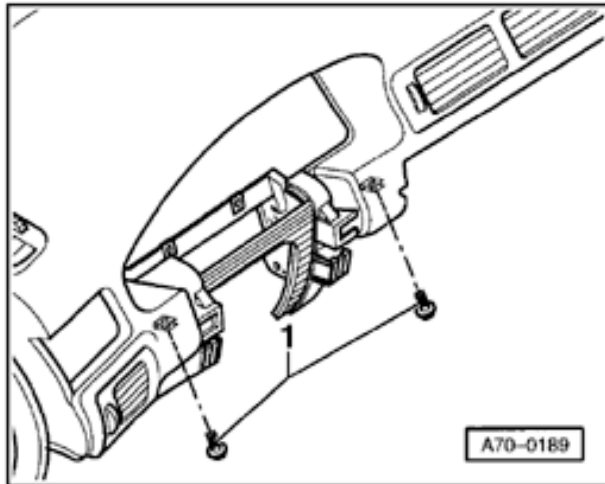


- ▲ - Remove screws -1- (3x). Tightening torque: 4 Nm (35 in lb)

70-60



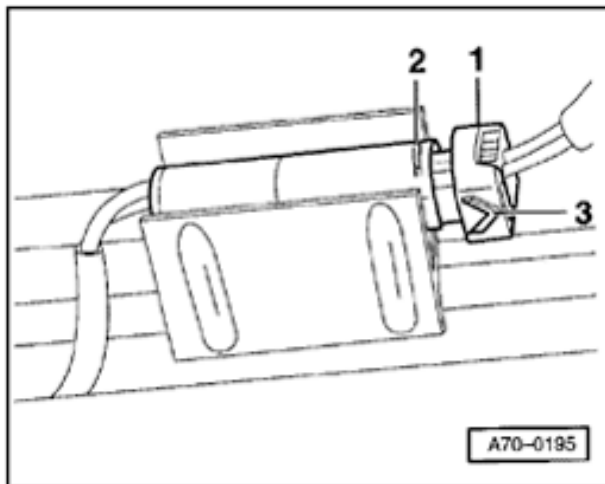
Removing instrument panel mounting screws - driver's side



- Remove screws -1- (2x).

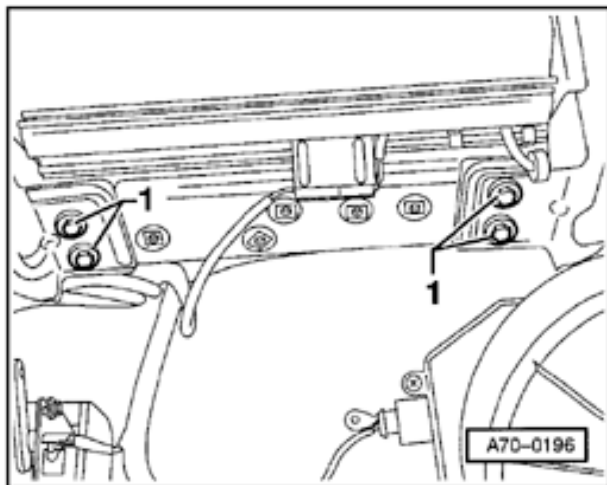
Tightening torque: 4 Nm (35 in lb)

Detaching passenger side airbag



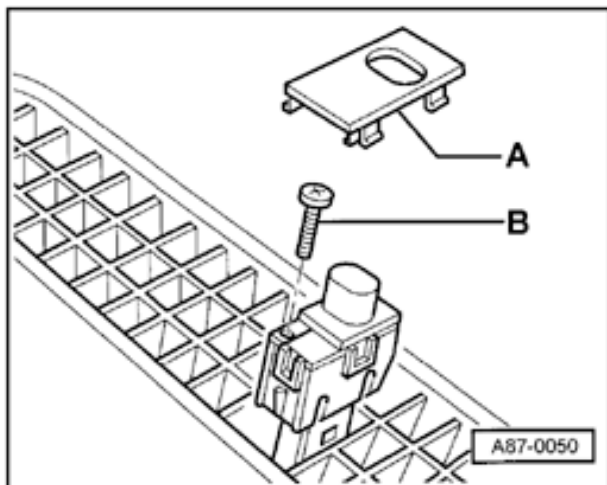
- Use screwdriver to lift connector -1- for passenger side airbag unit over retainer tab -2- and pull off connector in direction of arrow -3-.

70-61



- - Remove bolts -1- (4x).
- Tightening torque: 9 Nm (80 in lb)

Removing photosensor

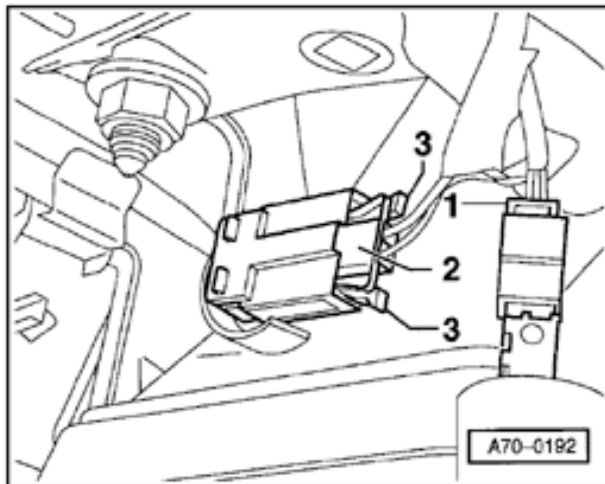


- - Carefully pry off cover - A-.
- Remove screw - B-.
- Lift photosensor and secure harness connector with cord or cable tie.
- Disconnect harness connector.

70-62

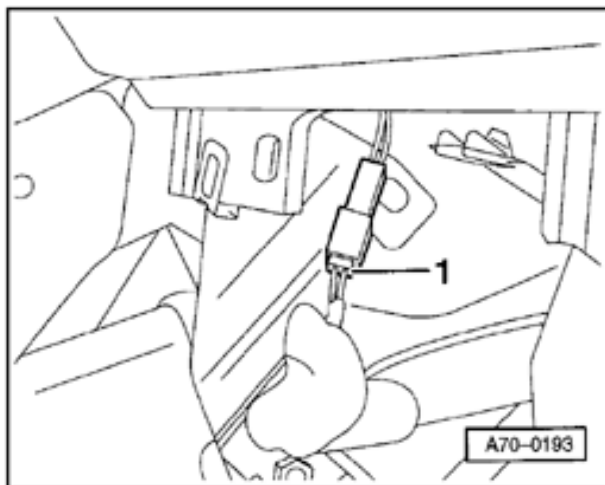


Disconnecting connectors for side vent lighting and temperature sensor



- Disconnect connector -1- on left and right for side vent lighting.
- Disconnect connector -2- for side-vent temperature sensor on left and right by squeezing together retainer tabs -3-.

Disconnecting connector for center vent lighting



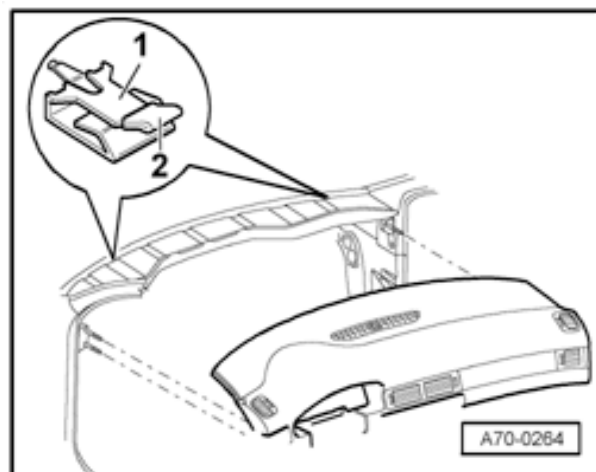
- Disconnect connector -1- for center vent lighting.
- Pull out instrument panel toward the rear.

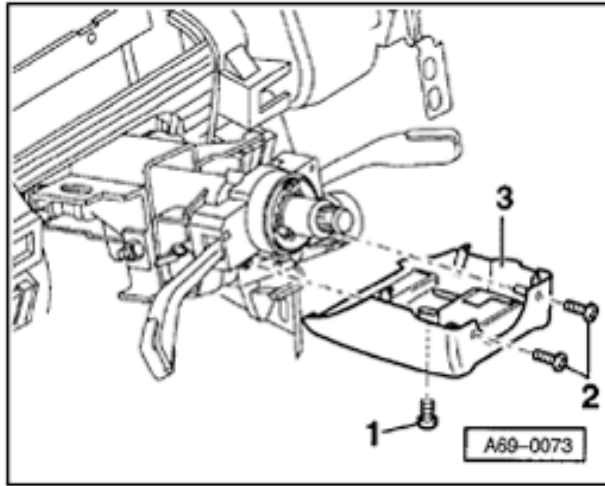
70-63



Installing

- Extend photosensor by attaching a cord or cable tie.
- Locate instrument panel and insert extension attached to photosensor.
- Clip -1- with felt pad - 2-.
- Insert instrument panel into clips -1-, at the same time pressing it down slightly.
- Press gently to check that instrument panel is installed properly in clips -1-.
- Install steering column switch but do not tighten mounts.





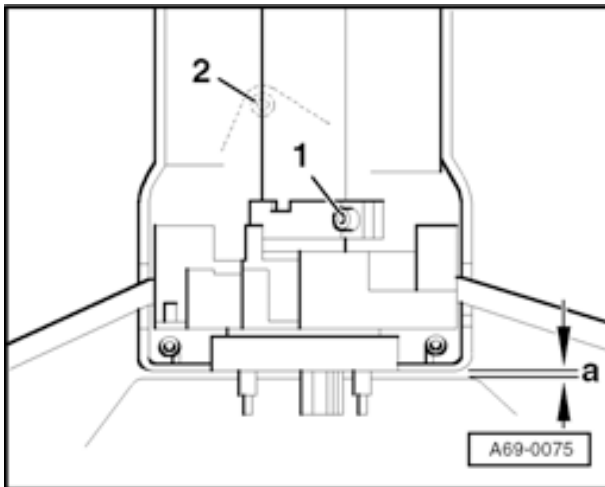
- Install lower section of trim -3- for steering column switch.
- Tighten screws -2- (2x).
Tightening torque: 0.6 Nm (5.4 in lb)
- Install screw -1- but do not tighten.

70-64



- Install self-cancelling ring and slip ring.

- Install steering wheel.



- Position steering column switch with lower section of trim at a distance of 3 mm from steering wheel (distance -a-).

- Tighten clamp - 1-.

Tightening torque: 2.8 Nm (25 in lb)

- Tighten socket-head bolt - 2-.

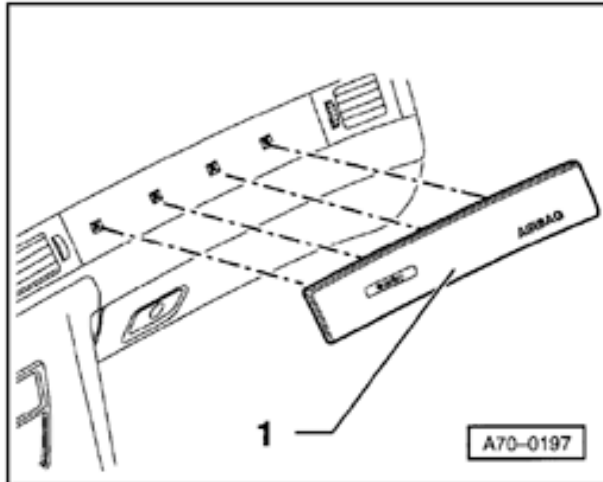
Tightening torque: 0.6 Nm (5 in lb)

- Perform remaining installation steps in reverse order of removal.



Trim strip for instrument panel, removing

- Remove glove box ⇒ [Page 68-1](#).



- Using a screwdriver, carefully press out trim strip for instrument panel -1- from the rear.