

Center Armrest

1 - Center Armrest

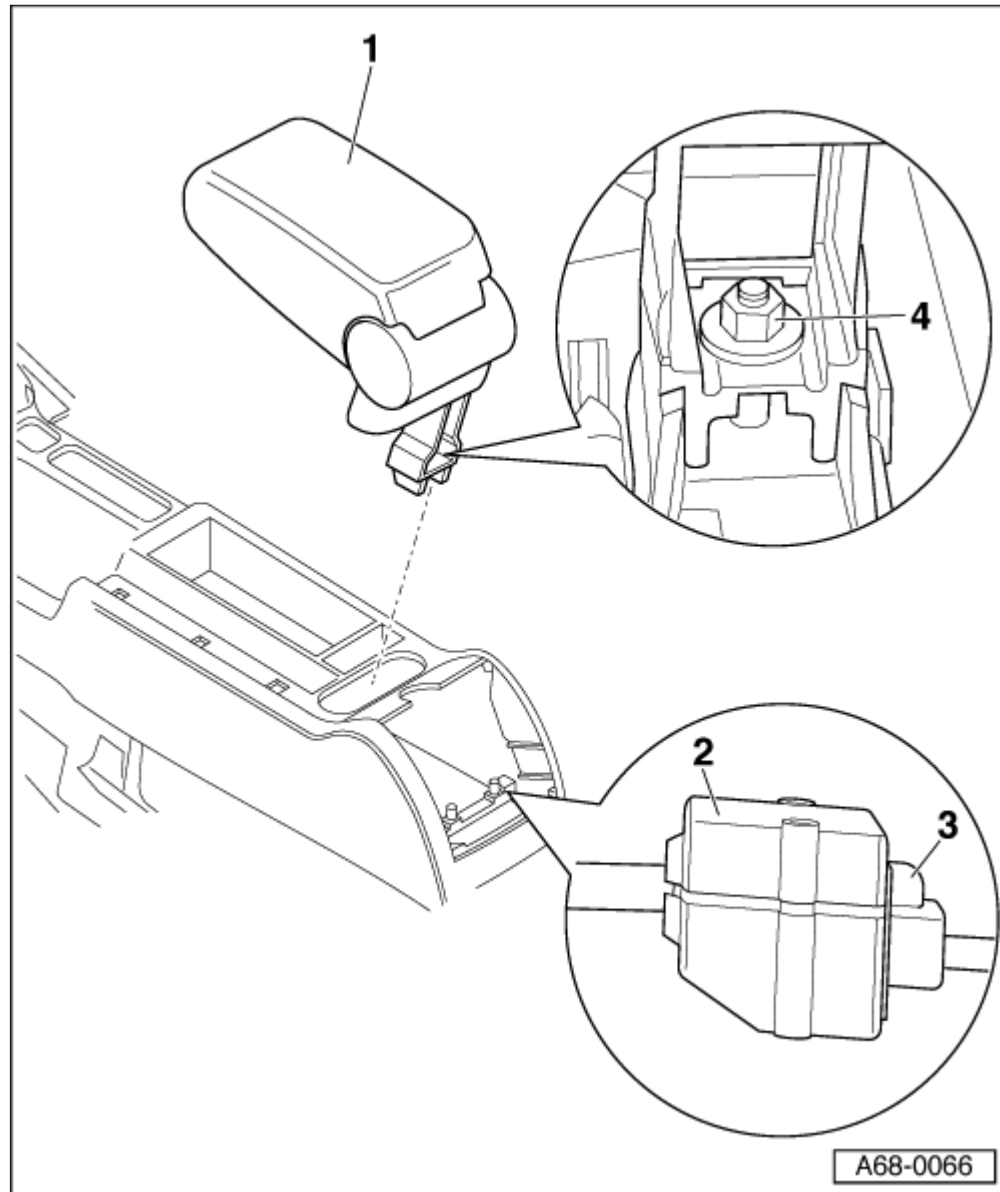
- Remove the rear vent and rear air duct connecting piece. Refer to → Chapter „Rear Vent and Rear Air Duct Connection“
- For a center armrest with a telephone, disconnect the connector -2- by pressing the retaining tabs -3-.
- Remove nut -4-.
- Remove center armrest -1-.
- During installation, connect the connector -2- on the right side between the support base and the center console.

2 - Connector

3 - Locking Lugs

4 - Nut

- Tightening specification 26 Nm.



A68-0066