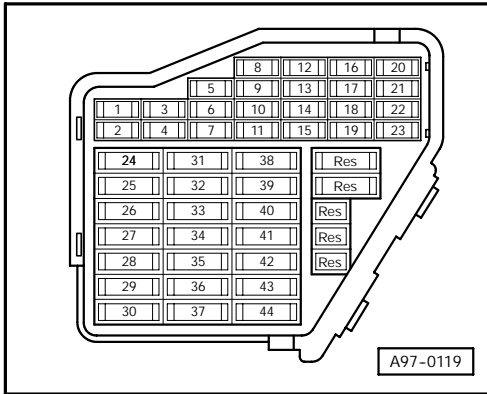


Daytime Running Lights with Fog Light and Rear Fog Light (Canada)

2001 m. y.

Fuse Panel

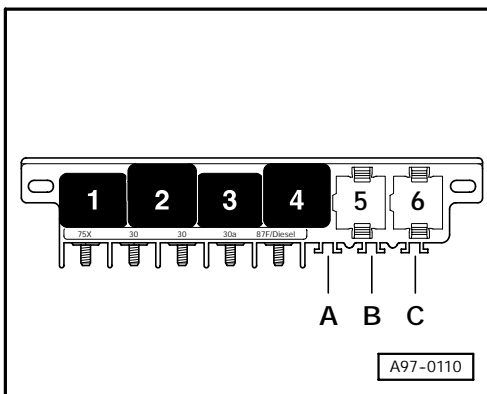


Fuse Colors:

- 30 A - Green
- 25 A - White
- 20 A - Yellow
- 15 A - Blue
- 10 A - Red
- 7,5 A - Brown
- 5 A - Beige

Starting with fuse position 23, fuses in the fuse holder are identified with 223 in the wiring diagram.

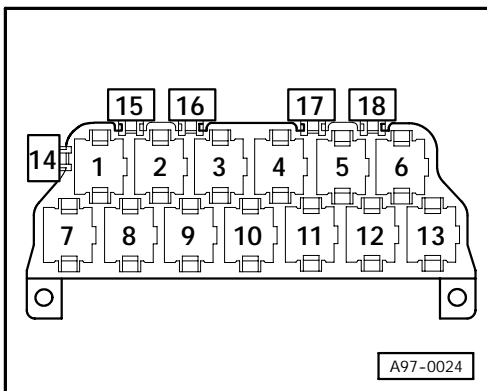
Micro Central Electric Panel



Relay Location:

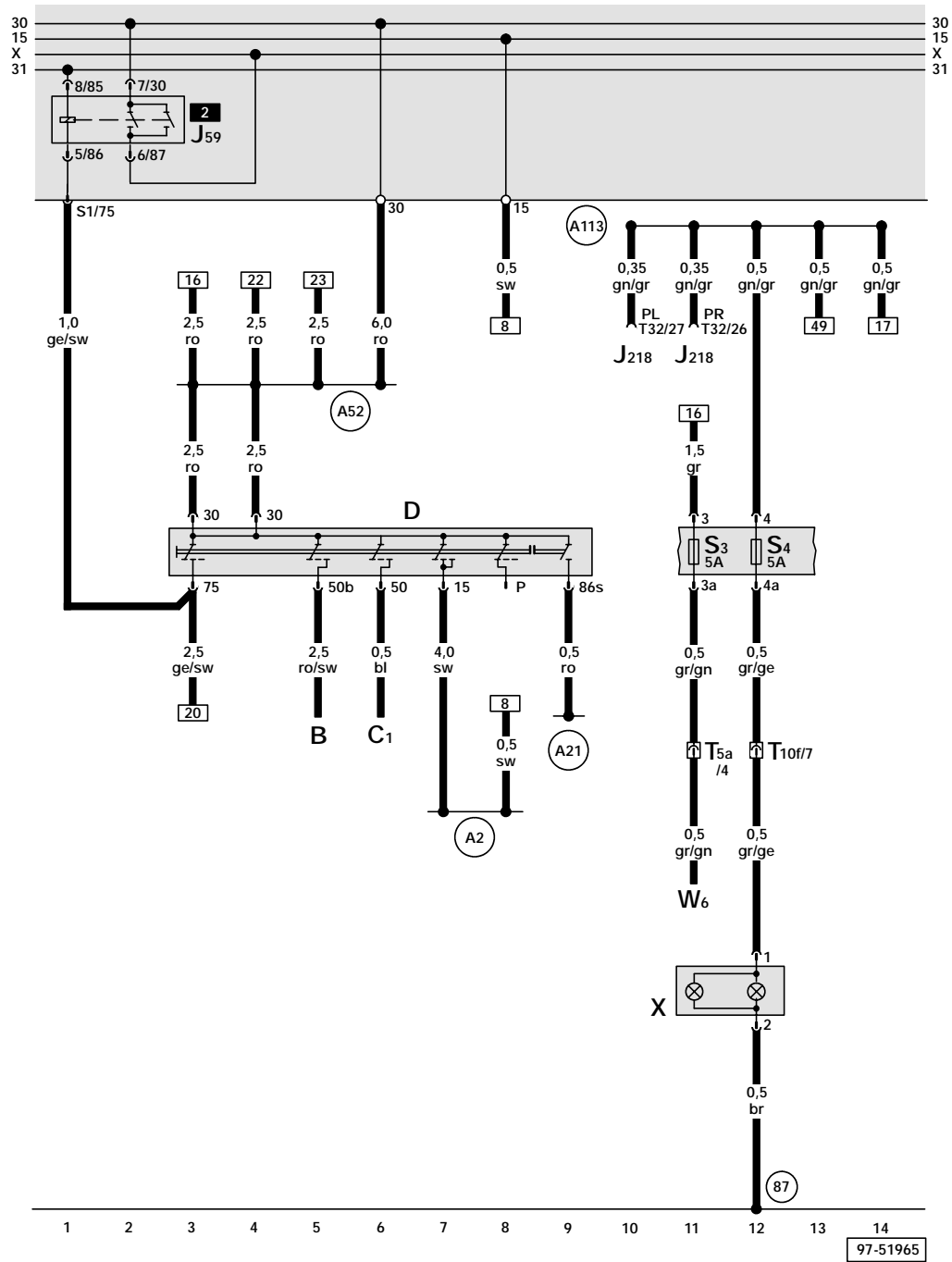
- 2** -Load Reduction Relay, J59

13 - Fold Relay Panel



Relay Location:

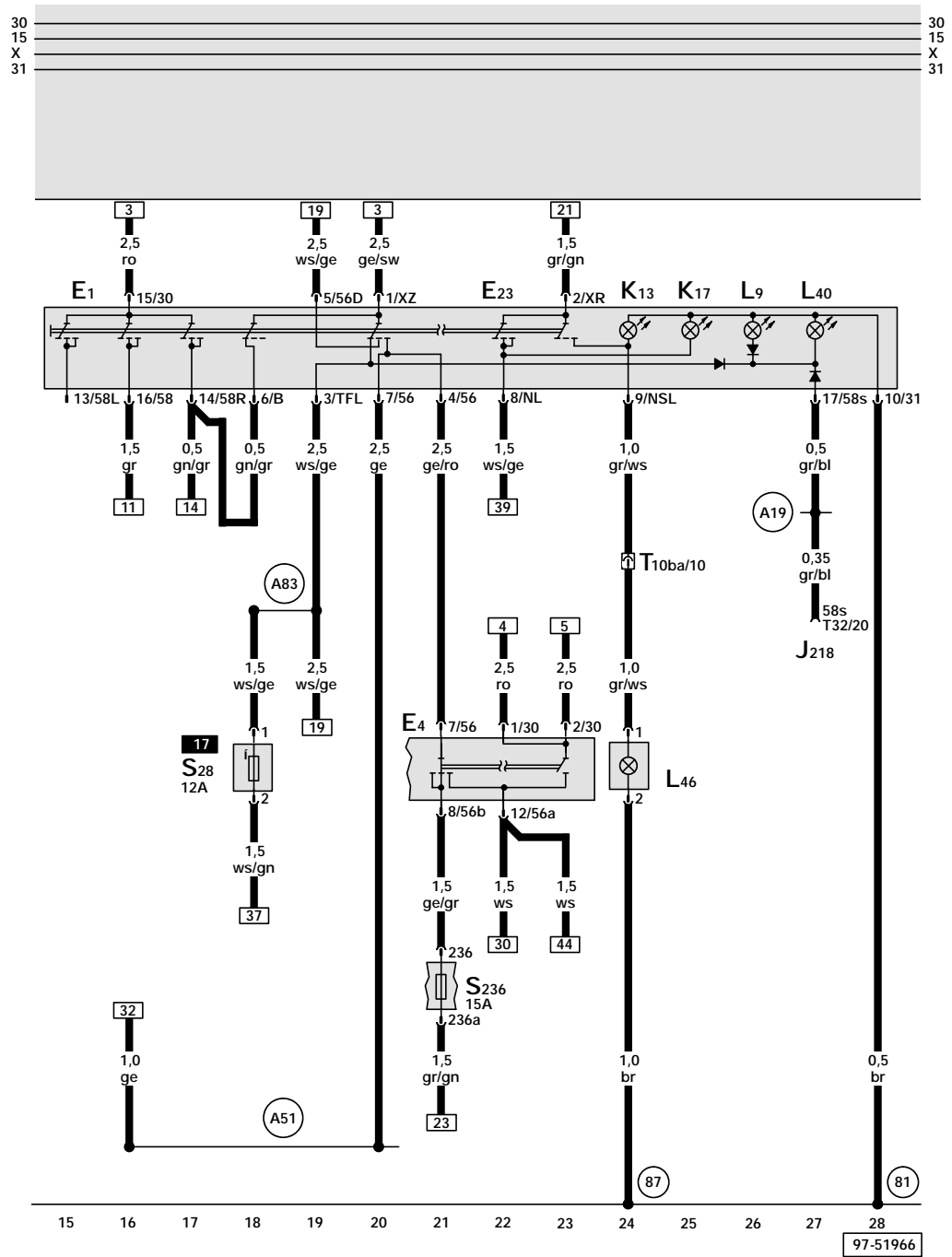
- 6** -Fog Light Relay, J5
- 9** -Lamp Control Module, J123
- 10** -Lamp Control Module, J123
- 17** -Fog Light Circuit Breaker, S28



ws = white
 sw = black
 ro = red
 br = brown
 gn = green
 bl = blue
 gr = grey
 li = violet
 ge = yellow

- B - Starter
- C1 - Voltage Regulator (VR)
- D - Ignition/Starter Switch
- J59 - Load Reduction Relay
- J218 - Instrument Cluster Combination Processor
- S3 - Fuse
- S4 - Fuse
- T5a - Connector 5 pin, black, behind instrument panel, right
- T10f - Connector 10 pin, brown, connector station A pillar, left
- T32 - Connector 32 pin, blue, on instrument cluster
- W6 - Glove Compartment Light
- X - License Plate Light

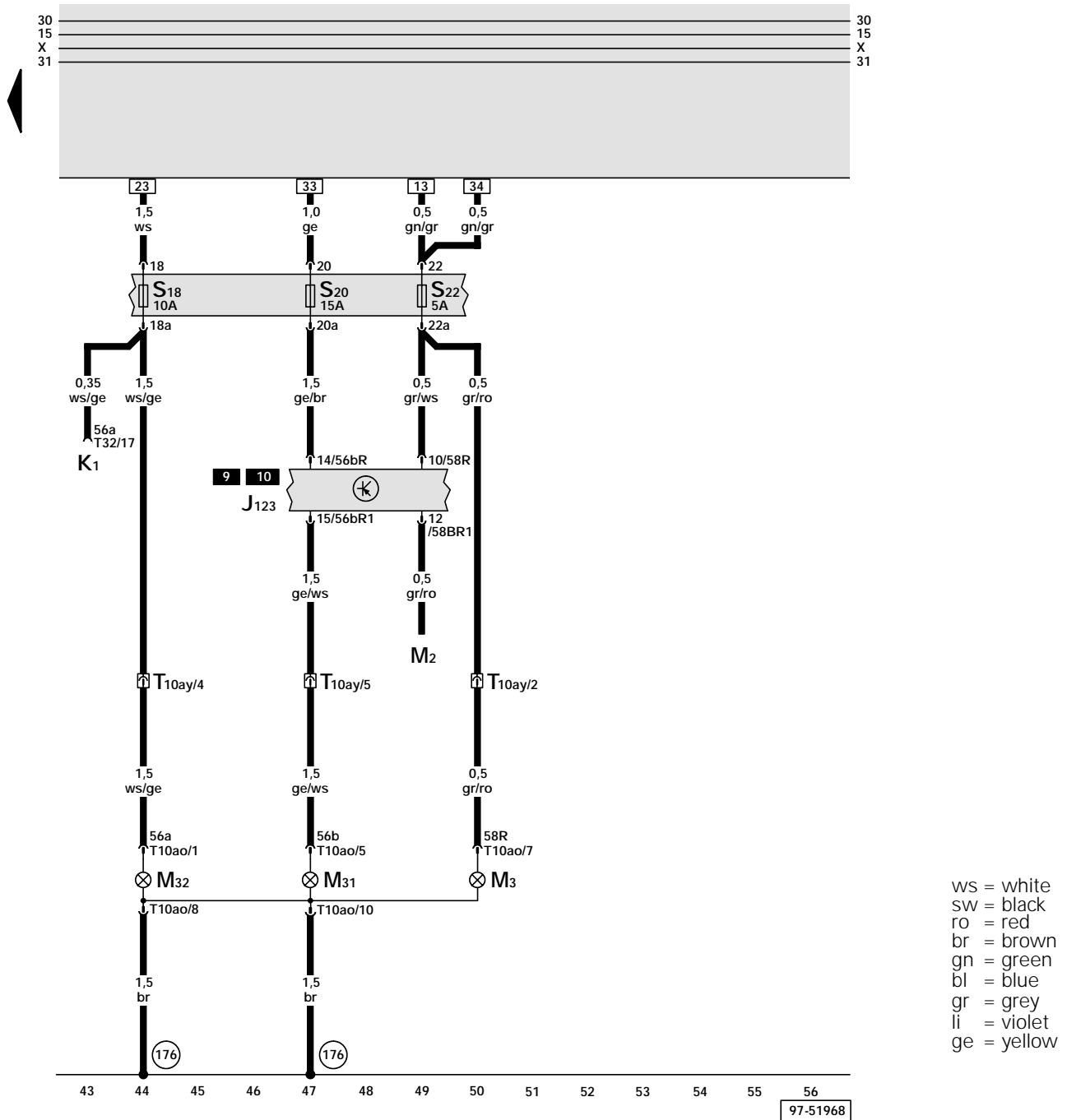
- (87) - Ground connection -2-, in rear wiring harness
- (A2) - Plus connection (15), in instrument panel wiring harness
- (A21) - Wire connection (86s), in instrument panel wiring harness
- (A52) - Plus connection -2- (30), in instrument panel wiring harness
- (A113) - Connection 2 (daytime running lights), in instrument panel wiring harness



ws = white
 sw = black
 ro = red
 br = brown
 gn = green
 bl = blue
 gr = grey
 li = violet
 ge = yellow

- E1 - Light switch
- E4 - Headlight Dimmer/Flasher Switch
- E23 - Fog Light Switch
- J218 - Instrument Cluster Combination Processor
- K13 - Rear Fog Light Indicator Light
- K17 - Fog Light Indicator Light
- L9 - Headlight Switch Light
- L40 - Front And Rear Fog Light Switch Light
- L46 - Left Rear Fog Light
- S28 - Fog Light Fuse
- S236 - Fuse 36 in fuse holder
- T10ba - Connector 10 pin, blue, connector station A pillar, left
- T32 - Connector 32 pin, blue, on instrument cluster

- (81) - Ground connection -1-, in instrument panel wiring harness
- (87) - Ground connection -2-, in rear wiring harness
- (A19) - Wire connection (58s), in instrument panel wiring harness
- (A51) - Wire connection (56), in instrument panel wiring harness
- (A83) - Connector (daytime running lights), in instrument panel wiring harness



- J123 - Lamp Control Module
- K1 - Headlight High Beam Indicator Light
- M2 - Right Tail Light
- M3 - Right Parking Light
- M31 - Right Low Beam Headlight
- M32 - Right High Beam Headlight
- S18 - Fuse
- S20 - Fuse
- S22 - Fuse
- T10ao - Connector 10 pin, on headlight, right
- T10ay - Connector 10 pin, pink, connector station A pillar, right
- T32 - Connector 32 pin, blue, on instrument cluster

(176) - Ground connection, in right headlight wiring harness