

**Audi > C6 > 2005-2007
Suspension, Wheels and Steering
40 - Removal and Installation**

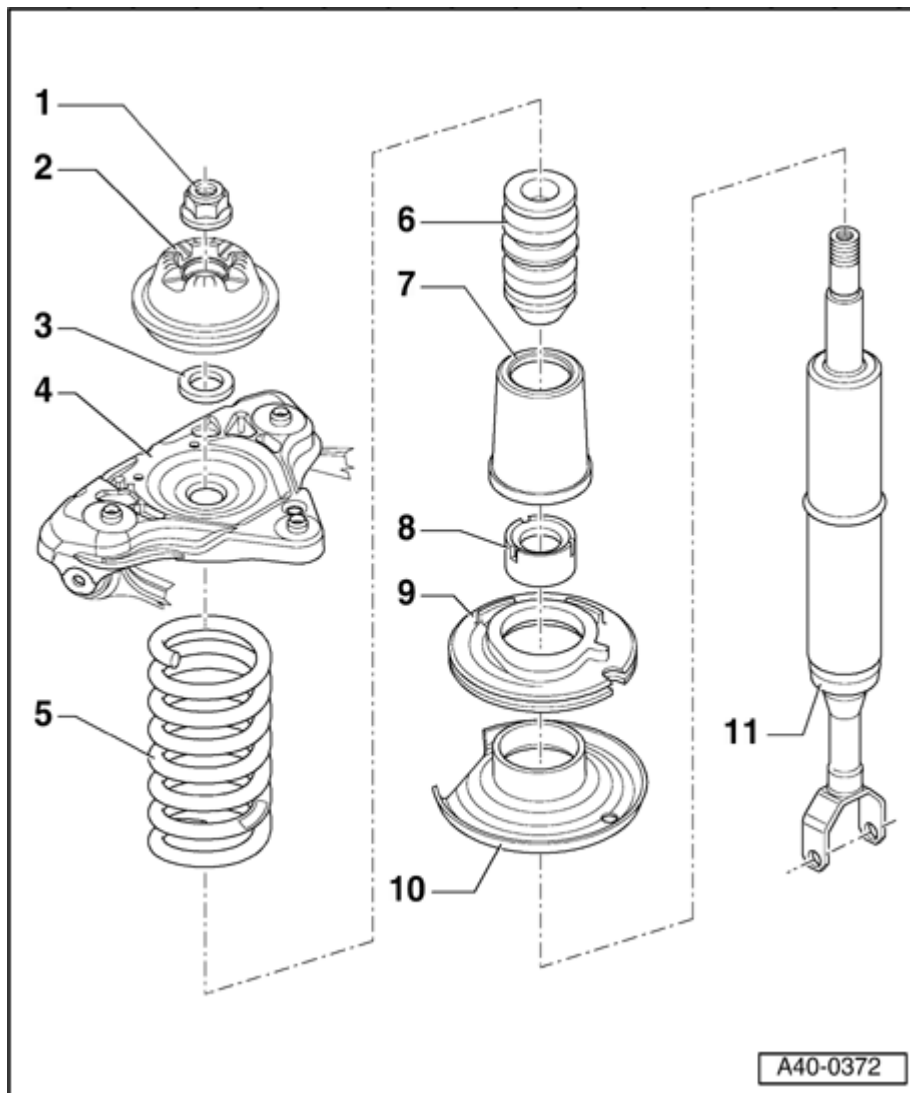
.

Coil Spring Suspension Strut, Mounting Bracket, Servicing

Special tools, testers and auxiliary items required

- ◆ Spring compressor V.A.G 1752/1
- ◆ Spring mounting tool V.A.G 1752/2
- ◆ Spring holder V.A.G 1752/6
- ◆ Shock absorber set T10001/3
- ◆ Shock absorber set T10001/4
- ◆ Shock absorber set T10001/7
- ◆ Shock absorber set T10001/11

Assembly Overview



1 - Collar nut, 50 Nm

- ◆ Always replace after removal

2 - Shock absorber mounting

3 - Washer

4 - Mounting bracket

- ◆ Installed position ⇒ [Installation position of mounting bracket](#)

5 - Coil spring

- ◆ Removing ⇒ [Coil spring, removing](#)
- ◆ Installing ⇒ [Coil spring, installing](#)

- ◆ Note different types of suspension versions, see vehicle data plate ⇒ [PR Number Explanations](#) .
- ◆ Application see ⇒ Electronic Parts Catalog ETKA

6 - Additional spring

7 - Protective sleeve

8 - Protective cap

9 - Lower spring support

10 - Lower spring plate

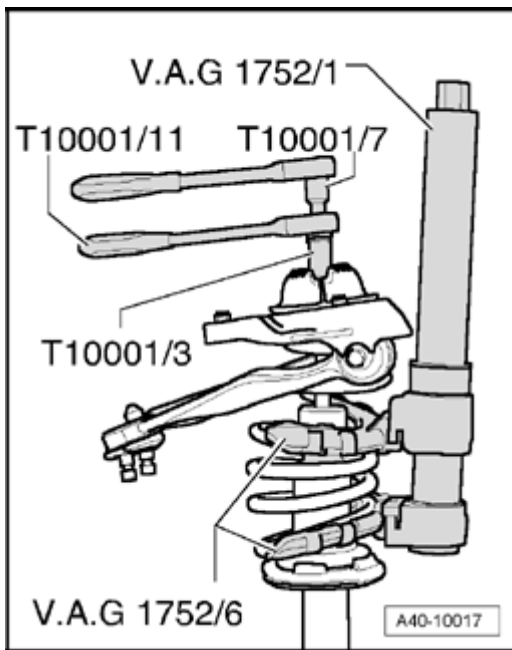
11 - Shock Absorbers

- ◆ Replace ⇒ [Shock absorber, replacing](#)
- ◆ Note different types of suspension versions, see vehicle data plate ⇒ [PR Number Explanations](#) .
- ◆ Always release gas and drain malfunctioning shock absorbers before disposal.
- ◆ Application see ⇒ Electronic Parts Catalog ETKA

Clarification of Production Control numbers (PR No.) ⇒ [PR Number Explanations](#)

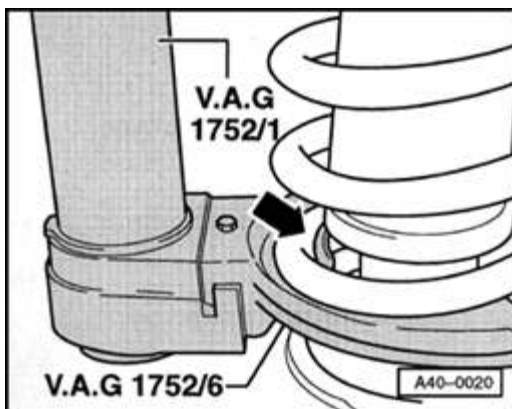
Shock absorber combination installed in vehicle is indicated by corresponding PR number on vehicle data plate.

.

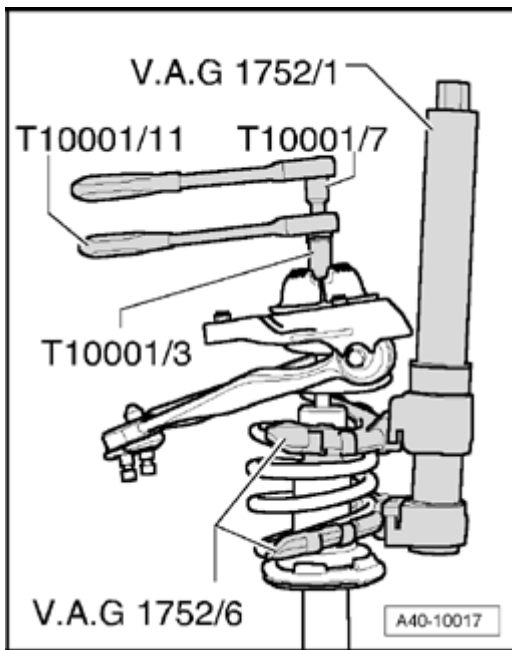


Coil spring, removing

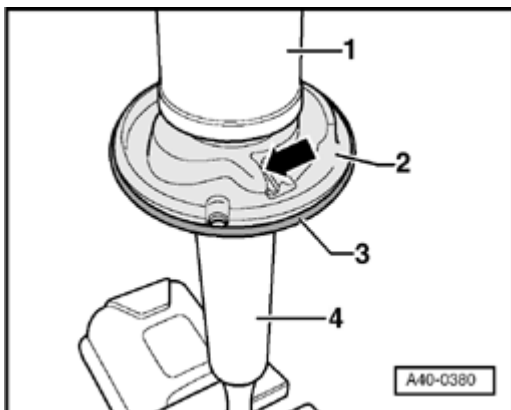
- Clamp suspension strut in a vise.
- Pretension coil spring using spring compressor V.A.G 1752/1 and spring holder V.A.G 1752/6 until upper suspension strut is free.



- Make sure the coil spring is seated in spring holder V.A.G 1752/6 - **arrow** - correctly.

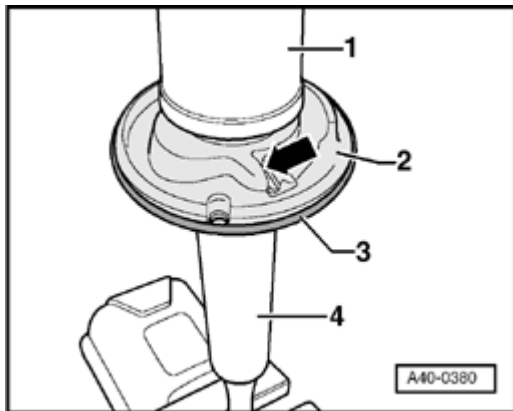


- Remove collar nut of coupling rod using tools T10001/3 , T10001/11 and T10001/7 .
- Remove individual components of suspension strut and pretensioned coil spring with spring compressor V.A.G 1752/1 .



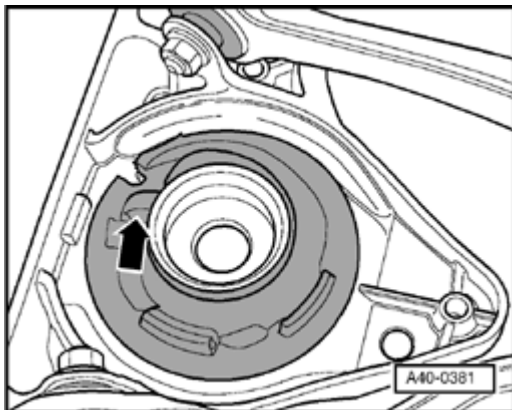
Shock absorber, replacing

- Remove protective cap - **1** - and bottom spring washer - **2** - .
- Loosen suspension strut - **3** - using plastic hammer and remove upward.
- Drive spring plate onto the new shock absorber using a plastic hammer.



Coil spring, installing

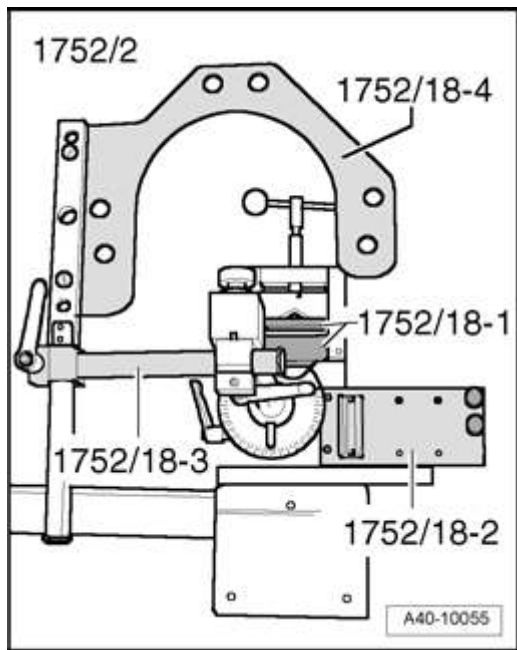
- Install lower spring support and protective cap.
- Position pretensioned coil spring on lower spring support. End of spring coil must rest against stop - **arrow** - (permissible play max. 2 mm).



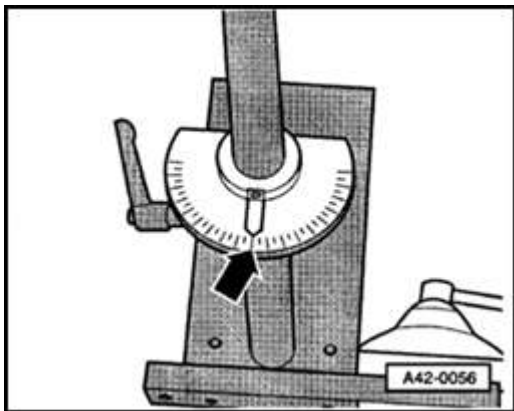
Install mounting bracket with spring washer onto pre-loaded spring so that spring washer makes contact on end of spring coil - **arrow** - (permissible play max. 2 mm).

- Position individual suspension strut components.
- Tighten collar nut using special tools .
- Do not yet release tension on spring.

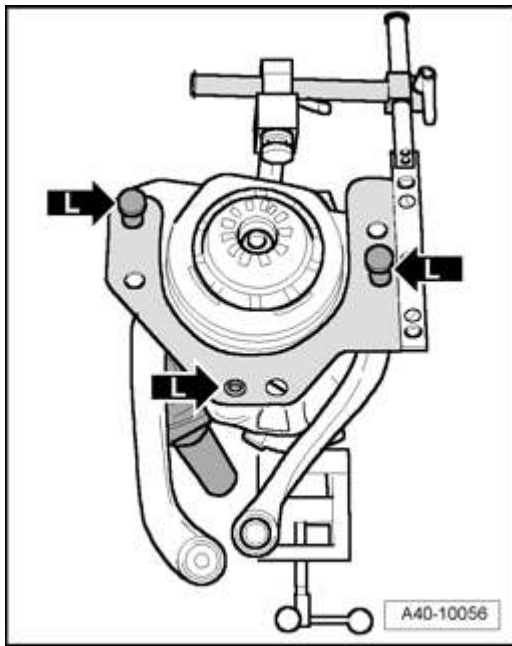
Installation position of mounting bracket



- Install spring mounting tool V.A.G 1752/2 as shown in the illustration.
- Tension suspension strut with spring compressor vertically in spring mounting tool V.A.G 1752/2 .

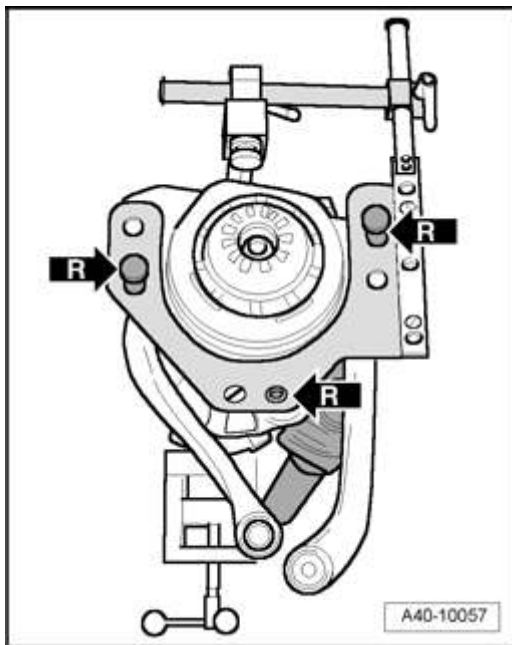


- Disengage locking lever and set pointer to 0 degree position - **arrow** - and seize locking lever.
- Adjust mounting bracket so suspension strut adjustment gauge V.A.G 1752/18-4 for the respective side of vehicle can be bolted to mounting bracket.



Left side

- Bolt adjust gage for suspension strut V.A.G 1752/18-4 on to mounting bracket - **arrows L** - .



Right side

- Bolt adjust gage for suspension strut V.A.G 1752/18-4 to mounting bracket - **arrows R** -
- Release tension in spring compressor V.A.G 1752/1 and remove it.

Note:

◆ *When releasing the tension, make sure the ends of the spring lie on the spring support stops in the mounting bracket and the lower spring support.*

– Check adjustment, repeat procedure if necessary.

Permissible deviation: plusminus 2 degree .

Copyright © 2008 Audi of America, Inc. and Bentley Publishers. All rights reserved. Last processed: