

Engine Coolant Temperature Sensor, Removing and Installing

Engine Coolant Temperature Sensor, Removing and Installing

Removing

- Drain coolant --> Cooling System, Draining and Filling.

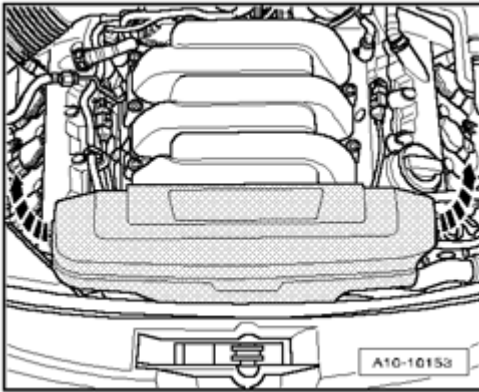


Fig. 518: Identifying Front Engine Cover

Courtesy of VOLKSWAGEN UNITED STATES, INC.

- Remove front engine cover - **arrows** -.

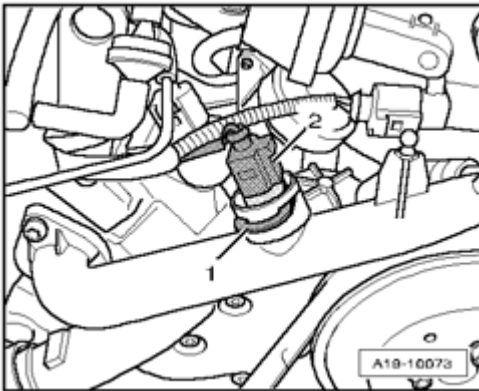


Fig. 519: Disconnecting Engine Coolant Temperature (ECT) Sensor G62 electrical connector & retaining clip

Courtesy of VOLKSWAGEN UNITED STATES, INC.

- Disconnect electrical connector - **2** - on Engine Coolant Temperature (ECT) Sensor G62.
- Remove retaining clip - **1** - and Engine Coolant Temperature (ECT) Sensor G62.

Installing

Installation is in reverse order of removal, noting the following:

2006 Audi A6

ENGINE 3.2 V6 4V Engine Mechanical, Engine Code(s): BKH

NOTE:

- **Replace O-ring.**
- Fill with coolant -->**Cooling System, Draining and Filling** .