

## Removing and installing headlights (old headlight is fitted again)

### Special tools and workshop equipment required

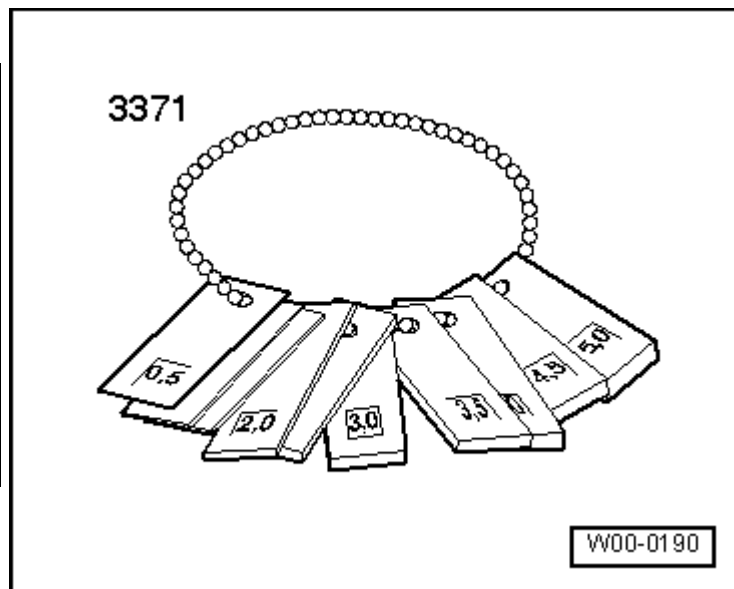
- ◆ Setting gauge -3371-



#### WARNING

**High voltage! Danger to life!**

- ◆ **Ensure that any part of the gas discharge headlights marked with yellow high-voltage warning symbols are de-energised when you are working on them.**
- ◆ **Switch off ignition and all electrical equipment and remove ignition key.**
- ◆ **Do not flash the headlights.**

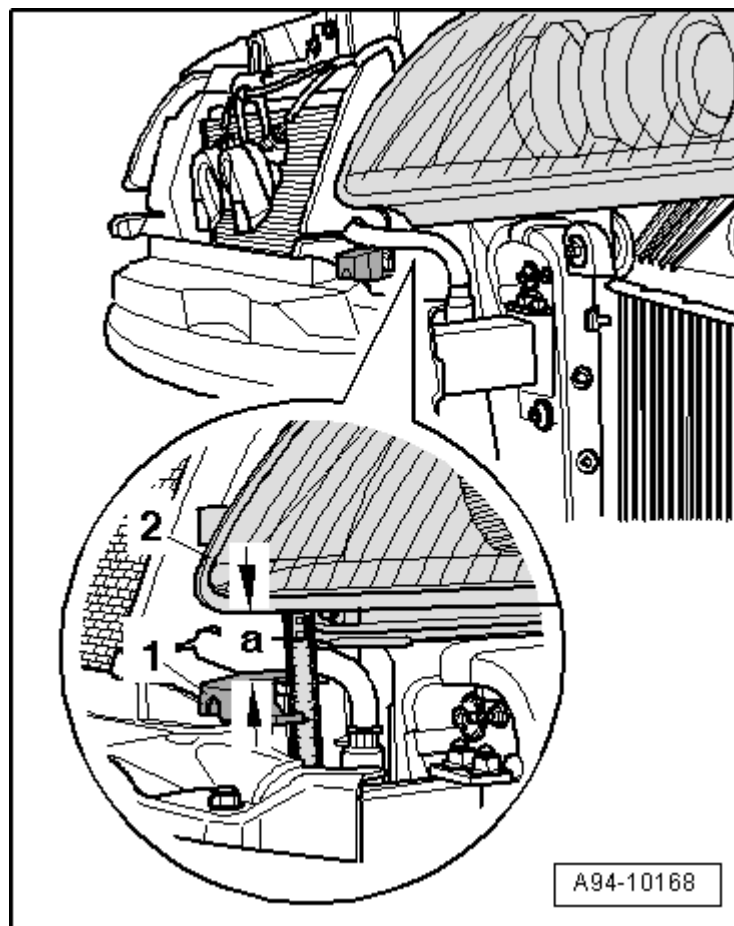


### Removing

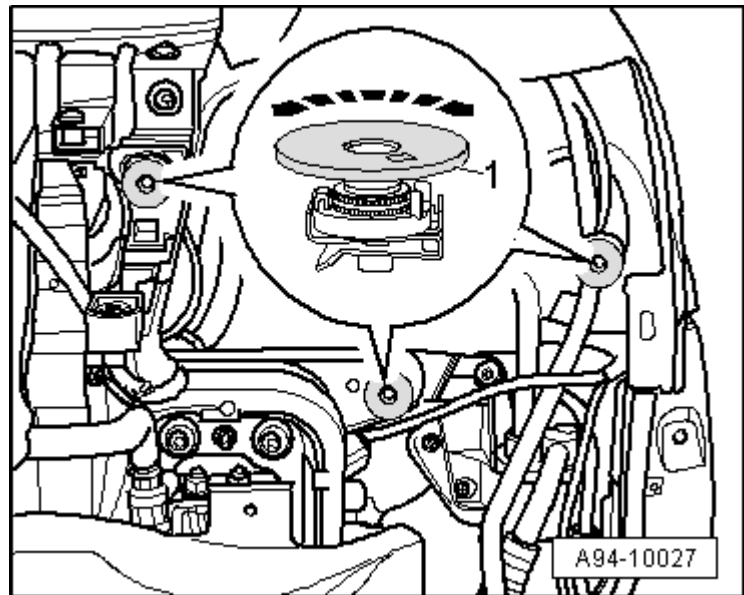
- Turn light switch to position "0".
- Switch off ignition and all electrical equipment and remove ignition key.
- Do not flash the headlights.
- Remove front bumper cover →Rep. gr.63.
- Measure distance -a- between headlight -2- and spacer -1- before removal and make a note of distance measured.



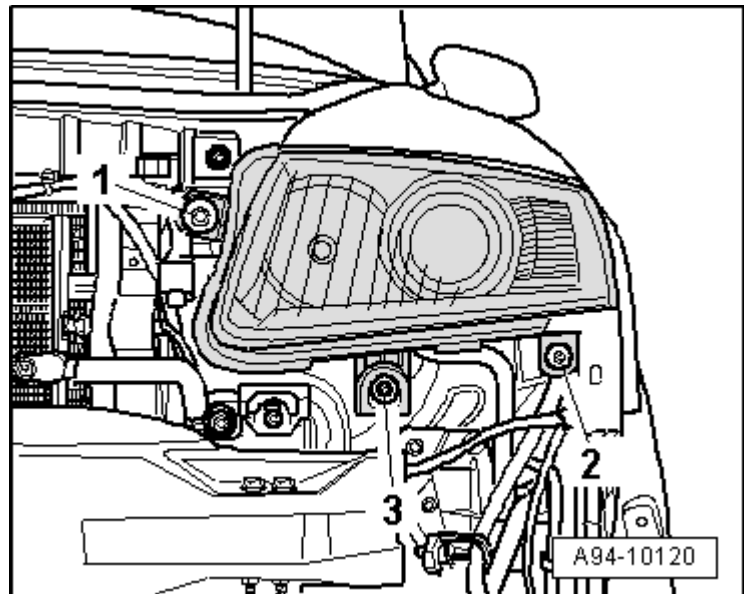
#### Note



*Make sure to counterhold adjuster nuts -1- of adjusters when unscrewing securing bolts to prevent them from being turned out of position - arrows-.*



- Unscrew bolts -1 ... 3-.
- Detach headlight to front.
- Unplug electrical connector.



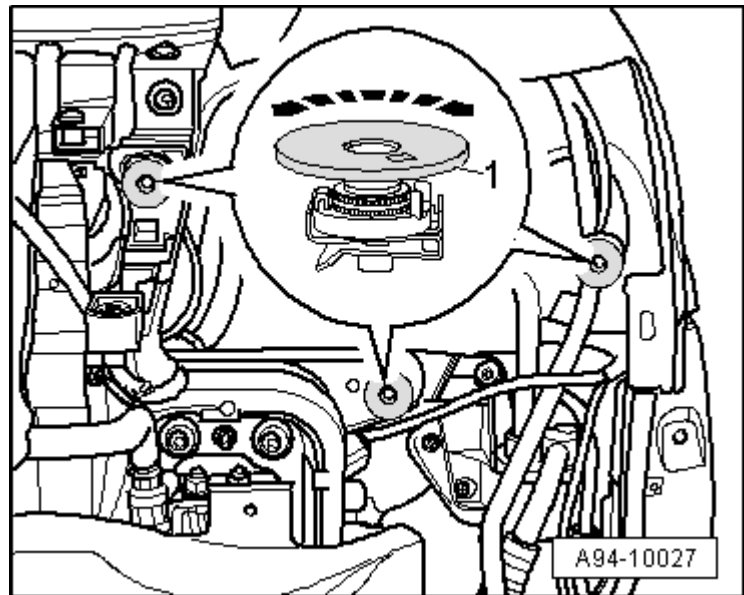
### Installing

- Tightening torque → [Chapter](#)

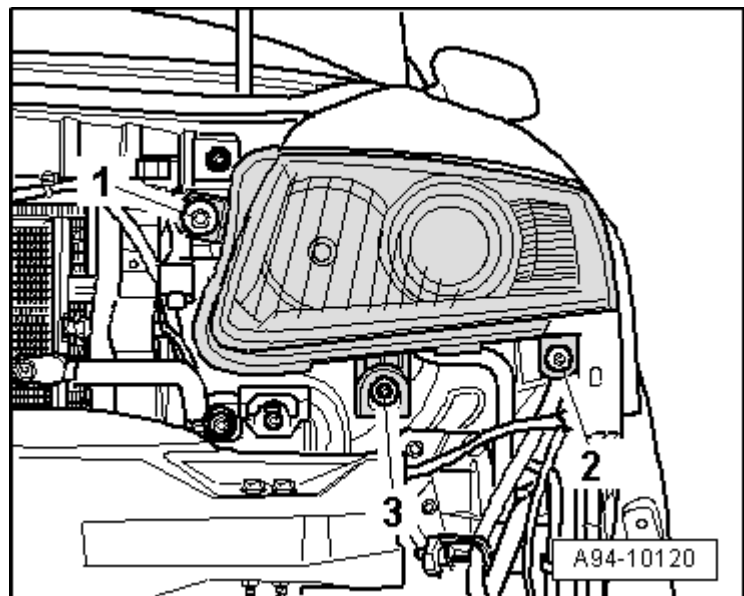


#### Note

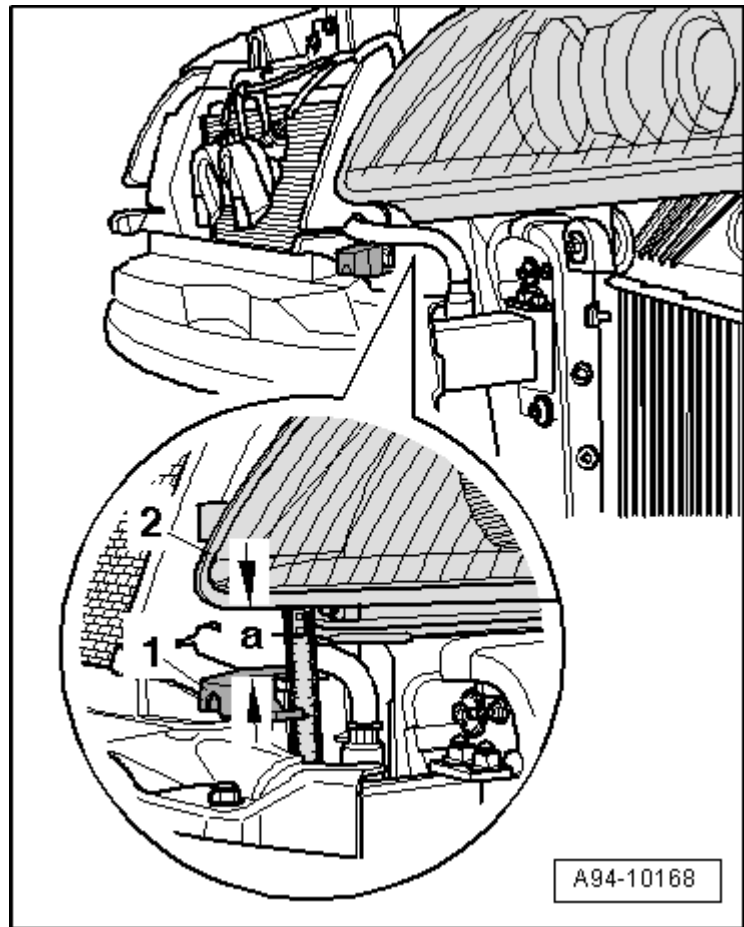
*Make sure to counterhold adjuster nuts -1- of adjusters when fastening securing bolts to prevent them from being turned out of position - arrows-.*



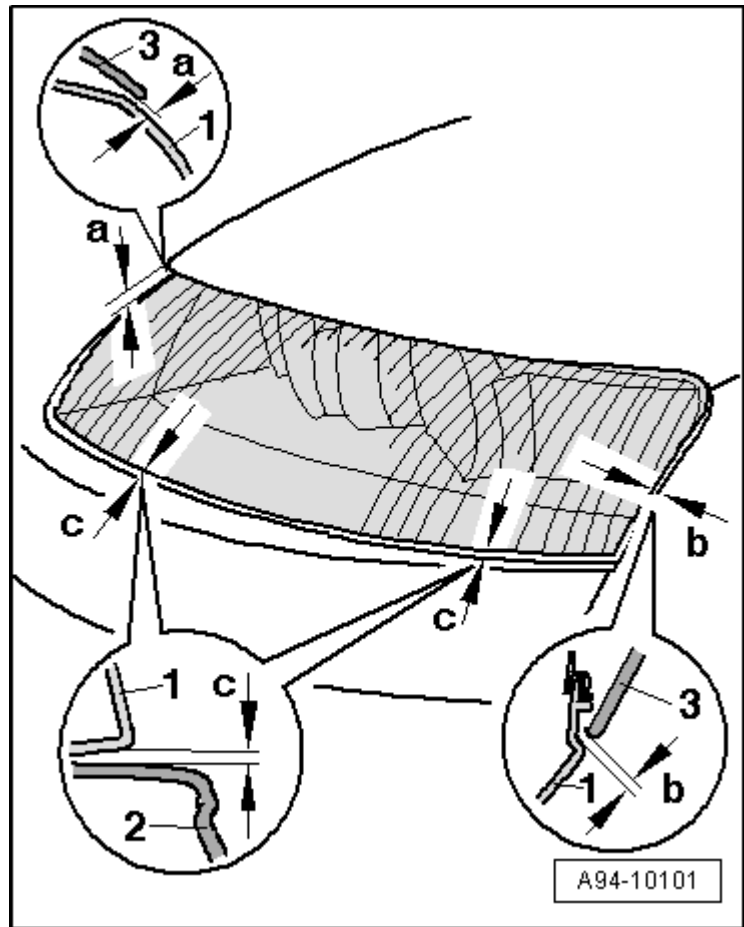
- Fit headlight and screw in bolts -1 ... 3- two complete turns each.



- Adjust headlight -2- so that the distance -a- to the spacer -1- is the same distance as measured upon removal.



- Fit front bumper cover in installation position, but do not tighten bolts.
- Align gap widths -a ... c- of headlight -1- in relation to bumper cover -2- and wing panel -3- using setting gauge -3371- as follows:
  - Dimension -a- = 2.3 mm
  - Dimension -b- = 2 mm
  - Dimension -c- = 1.2 mm
  - The headlight must be flush with outer edge of wing panel.
  - The bottom edge of the headlight must be parallel with the top edge of the bumper.



- Secure bolt -1- – do not apply pressure to bolt when tightening.
- Take off front bumper cover.
- Secure bolts -2- and -3- and at the same time align headlight flush with outer edge of wing panel.
- Install front bumper cover →Rep. gr.63.
- Check gap widths again; if necessary repeat adjustment of gap widths as described above.
- Following installation, adjust headlights → Chapter.

