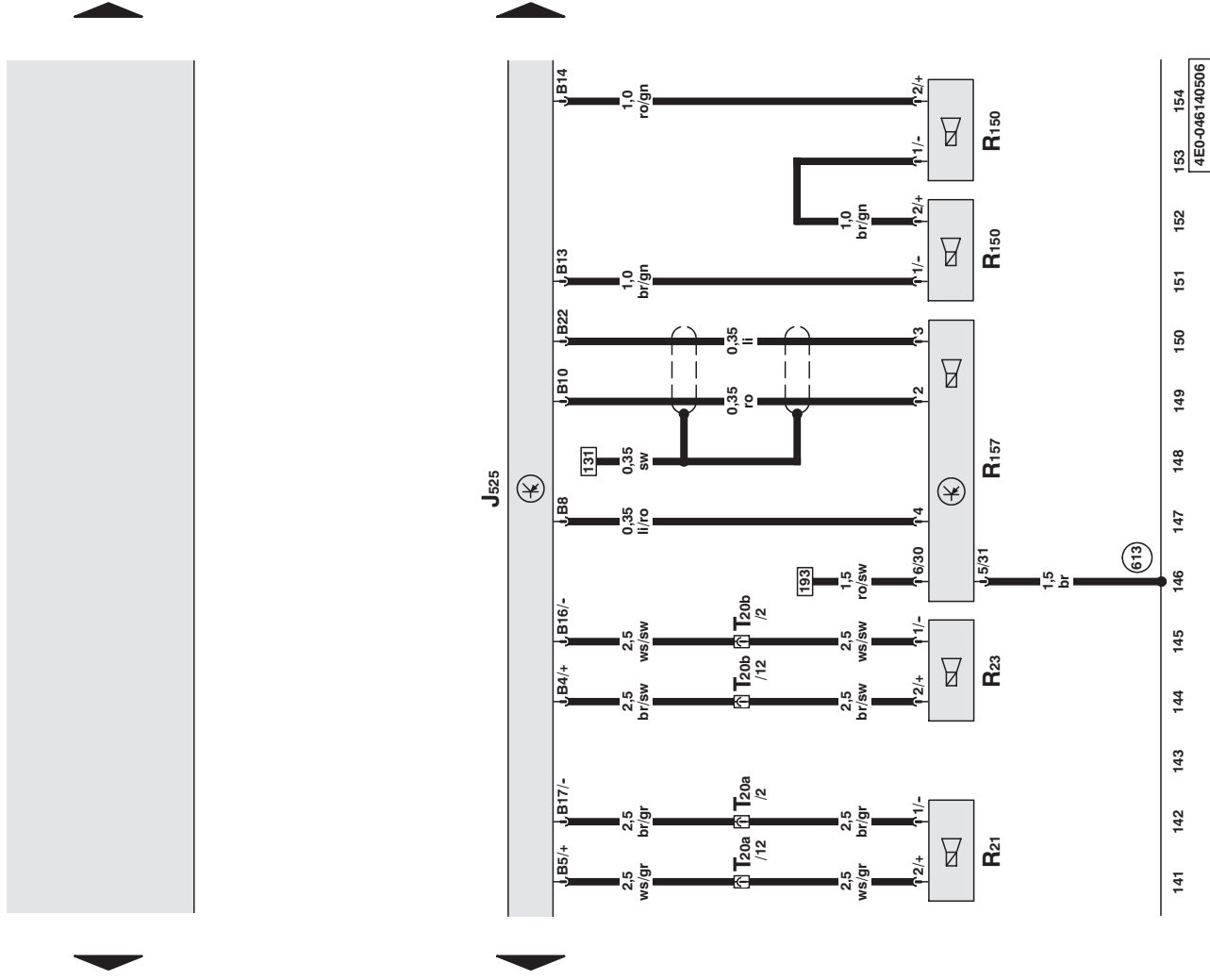


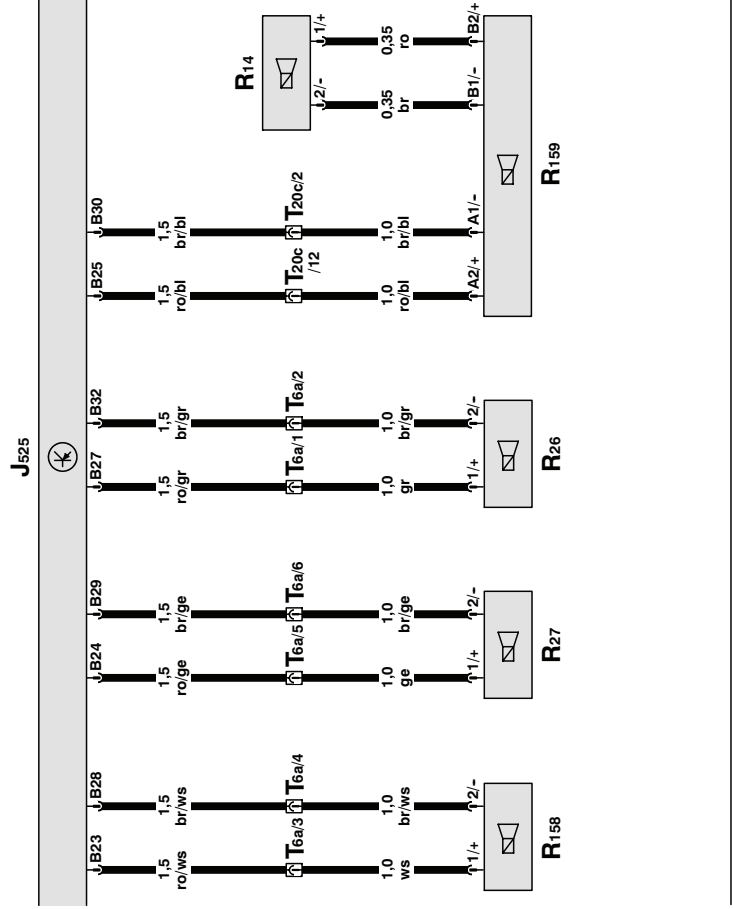
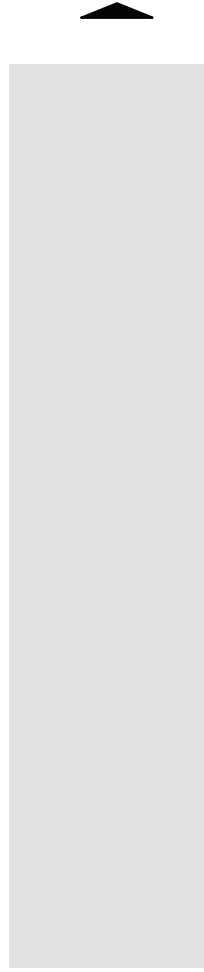
**Digital Sound System Control Module, Bass Speaker Front, Loudspeaker in Parcel Shelf, Subwoofer**

- J525 - Digital Sound System Control Module
- R21 - Bass speaker, left front
- R23 - Bass speaker, right front
- R150 - Loudspeaker (in parcel shelf)
- R157 - Subwoofer (on rear parcel shelf)
- T20a - 20-Pin Connector, black, A-pillar left
- T20b - 20-Pin Connector, black, A-pillar right
- (613) - Ground Connection (Audio) (in luggage compartment, left)



**Digital Sound System Control Module, Left and Right Front Midrange Speaker, Center Mid/High Range Loudspeaker, Left Rear Mid/Low Range Loudspeaker, Treble Speaker Left Rear**

- J525 - Digital Sound System Control Module
- R14 - Treble speaker, left rear
- R26 - Left Front Midrange Speaker
- R27 - Right Front Midrange Speaker
- R158 - Center Mid/High Range Loudspeaker
- R159 - Left Rear Mid/Low Range Loudspeaker
- T6a - 6-Pin Connector, black, Relay Panel Front footwell left
- T20c - 20-Pin Connector, black, B-pillar left



ws = white  
 sw = black  
 ro = red  
 br = brown  
 gn = green  
 bl = blue  
 gr = grey  
 li = violet  
 ge = yellow  
 or = orange

155	156	157	158	159	160	161	162	163	164	165	166	167	168
													97-56208