



1.13 Latch Release Lever, Removing and Installing

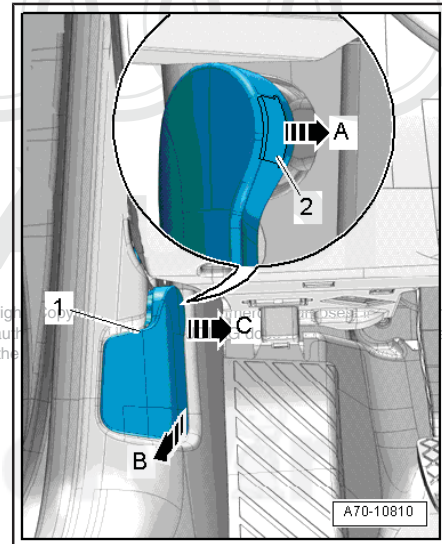
Removing

- Pull the clip -2- out of the release lever -1- slightly in direction of -arrow A- using a small screwdriver.
- Pull the operating lever toward the rear in direction of -arrow B- to release the hood and hold it in this position.
- At the same time, pull the release lever so it is level with the center of the vehicle and out of its mount -arrow C-.

Installing

Install in reverse order of removal and note the following:

- Slide the clip all the way into the release lever.
- Press the release lever onto the mount in the mounting bracket and engage it.
- Push back the operating lever clamp.



1.14 Latch Release Lever Mounting Bracket, Removing and Installing

Removing

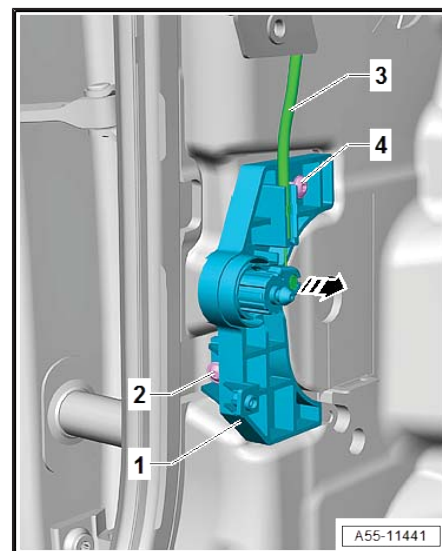
- Remove the latch release lever. Refer to ⇒ ["1.13 Latch Release Lever, Removing and Installing"](#), page 42 .
- Remove the A-pillar lower trim panel. Refer to ⇒ Body Interior; Rep. Gr. 70 ; Vehicle Interior Trim Panels; A-Pillar Trim Panel, Removing and Installing .
- Loosen the release cable -3- from the support bracket and disengage the release cable nipple.
- Remove the bolts -2 and 4-.
- Remove the mounting bracket -1- in in direction of -arrow-.

Installing

Install in reverse order of removal.


Tightening Specifications

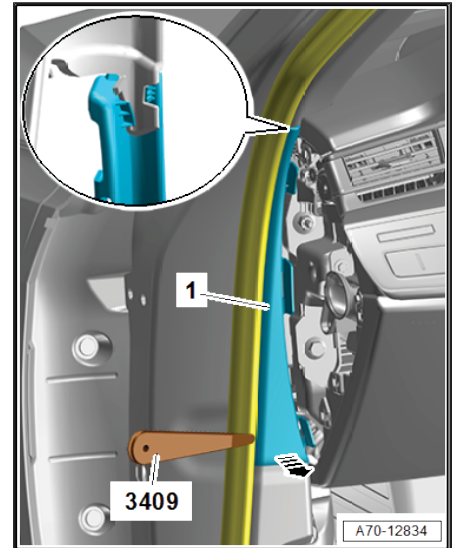
- ◆ Refer to ⇒ ["1.2 Overview - Release Cable"](#), page 29






Removing



- Move the front seat all the way back.
- Remove the instrument panel side cover. Refer to [⇒ "4.2 Instrument Panel Side Cover, Removing and Installing", page 194](#) .
- Unclip the A-pillar gap cover -1- from below using the -3409-  and disengage at the A-pillar upper trim panel.

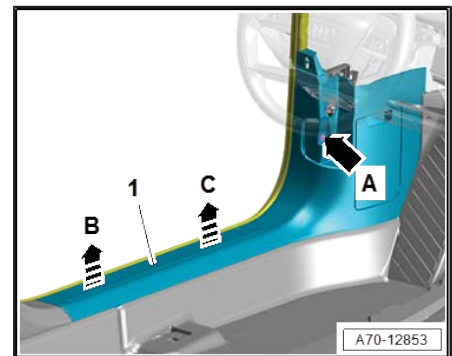


Driver Side:

- Remove the operating lever for the hood release cable. Refer to ⇒ Body Exterior; Rep. Gr. 55 ; Hood; Latch Release Lever, Removing and Installing .
- Remove the screw  A-

Continuation for Both Vehicle Sides:

- Free up the A-pillar trim panel in the door seal area.
- Starting at the back, unclip the A-pillar trim panel -1- from the side sill  B and  C arrows- using the -3409- and remove toward the rear.
- Remove the A-pillar trim panel.



Installing

Install in reverse order of removal.

Installation instructions: for example tightening specifications, replacing components. Refer to [⇒ "6.3 Overview - A-Pillar Trim Panel", page 220](#) .

6.11 B-Pillar Trim Panel, Removing and Installing

[⇒ "6.11.1 B-Pillar Lower Trim Panel, Removing and Installing", page 229](#)

[⇒ "6.11.2 B-Pillar Upper Trim Panel, Removing and Installing", page 230](#)

Protected by copyright. Copying for private or commercial purposes, in part or in whole, is not permitted without the prior written permission of AUDI AG. AUDI AG does not guarantee or accept any liability with respect to the correctness of information in this document. Copyright by AUDI AG.

6.11.1 B-Pillar Lower Trim Panel, Removing and Installing

Special tools and workshop equipment required

- ◆ Trim Removal Wedge - 3409-
- ◆ Pliers - T40172C-