

Audi 100, S4, A6, S6 > 1992-1998

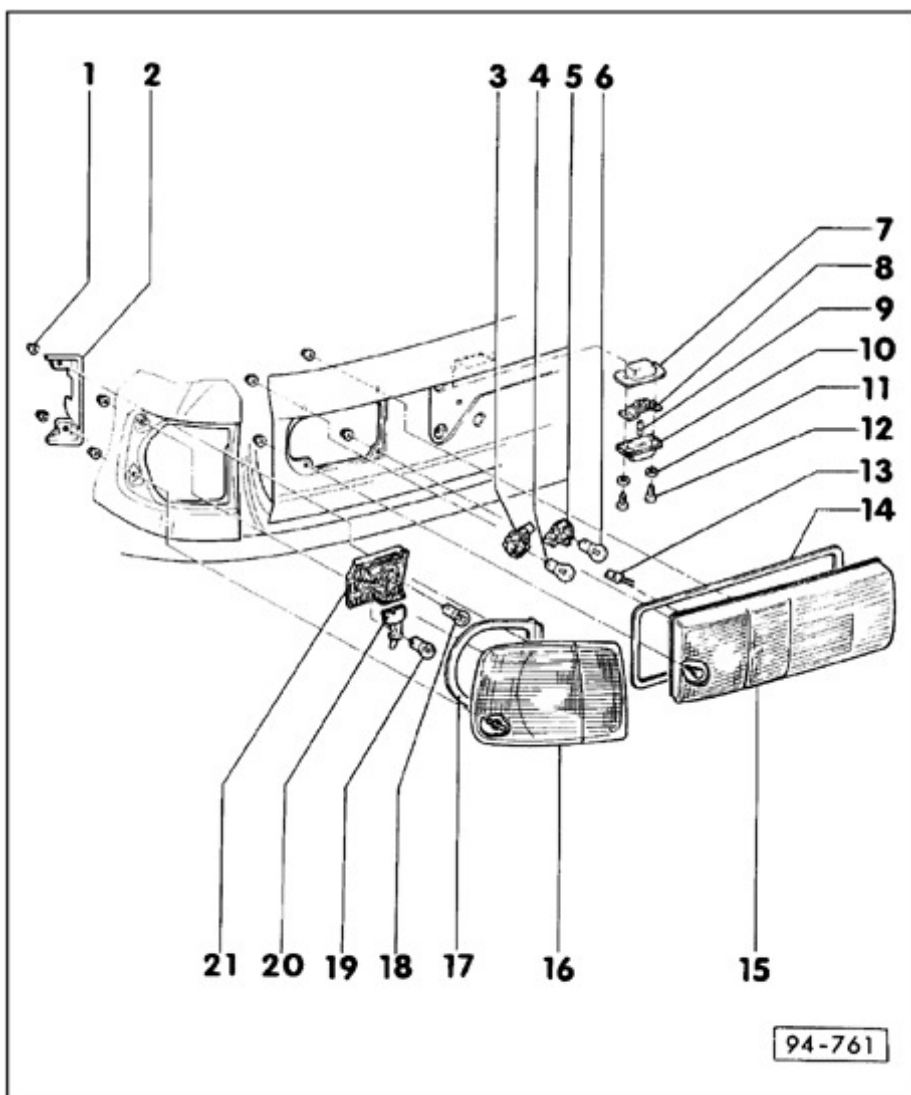
Electrical Equipment

94 - Lights, Switches - Exterior

Tail Lamp Assembly, Removing and Installing

Note:

- ✦ The switch for luggage compartment light is located in tailgate lock. Luggage compartment bulb: 12 volts, 5 watts.



1 - Nut, M5

2 - Bracket

3 - Rear fog light bulb holder

- ▶ Removing and installing ⇒ [Fig. 3 Back-up light, rear fog light bulb holders, removing and installing](#)

4 - Rear fog light bulb

- ▶ 12 volts, 21 watts

5 - Back-up light bulb holder

- ▶ Removing and installing ⇒ [Fig. 3 Back-up light, rear fog light bulb holders, removing and installing](#)

6 - Back-up light bulb

- ▶ 12 volts, 21 watts

7 - Rubber seal**8 - License plate light bulb holder****9 - License plate light bulb**

- ▶ 12 volts, 4 watts

10 - License plate light lens**11 - Seal****12 - Screw****13 - Wire connector****14 - Gasket****15 - Back-up light, rear fog light lens**

- ▶ When removing on right side, first remove trunk lock
- ▶ Removing and installing ⇒ [Fig. 4 Back-up light, rear fog light lens, removing and installing](#)

16 - Taillight, brake light, turn signal light lens

- ▶ Removing and installing ⇒ [Fig. 2 Taillight, brake light, turn signal light lens, removing and installing](#)

17 - Seal**18 - Brake and taillight bulb**

- ▶ 12 volts, 21/5 watts

19 - Turn signal bulb

- ▶ 12 volts, 21 watts

20 - Wire connector**21 - Taillight, brake light, turn signal light bulb holder**

- ▶ Removing and installing ⇒ [Fig. 1 Taillight, brake light, turn signal light bulb holder, removing and installing](#)

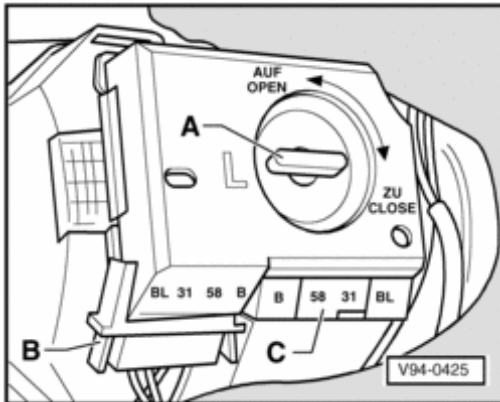


Fig. 1 Taillight, brake light, turn signal light bulb holder, removing and installing

- Turn lock bolt - **A** - counterclockwise.
- Remove connector - **B** - .
- Remove bulb holder.

Install in reverse order of removal.

Note:

- ◆ When connecting towing lights, use terminals - **C** - for all electrical connections.

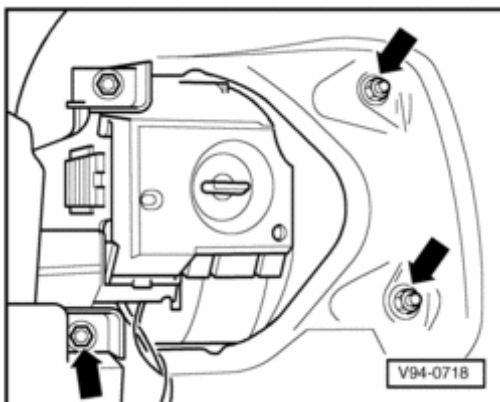


Fig. 2 Taillight, brake light, turn signal light lens, removing and installing

- Remove bulb holder ⇒ [Fig. 1 Taillight, brake light, turn signal light bulb holder, removing and installing](#)
- Remove nuts (arrows).

- Remove lens.

Install in reverse order of removal.

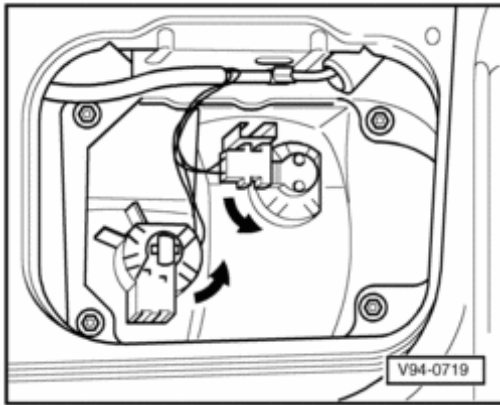


Fig. 3 Back-up light, rear fog light bulb holders, removing and installing

- Turn each bulb holder in direction of (arrow) and remove.

Install in reverse order of removal.

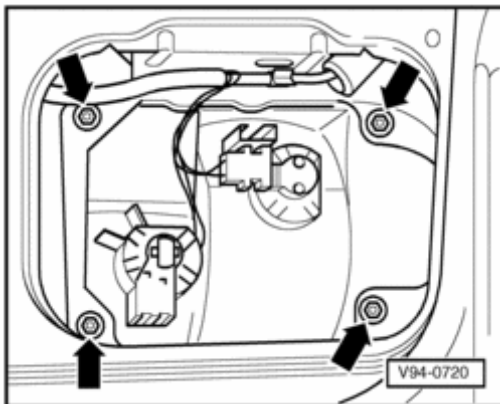


Fig. 4 Back-up light, rear fog light lens, removing and installing

- Remove bulb holders ⇒ [Fig. 3 Back-up light, rear fog light bulb holders, removing and installing](#)
- Remove nuts (arrows).
- Remove lens.

Install in reverse order of removal.

Copyright © 2008 Audi of America, Inc. and Bentley Publishers. All rights reserved. Last processed: