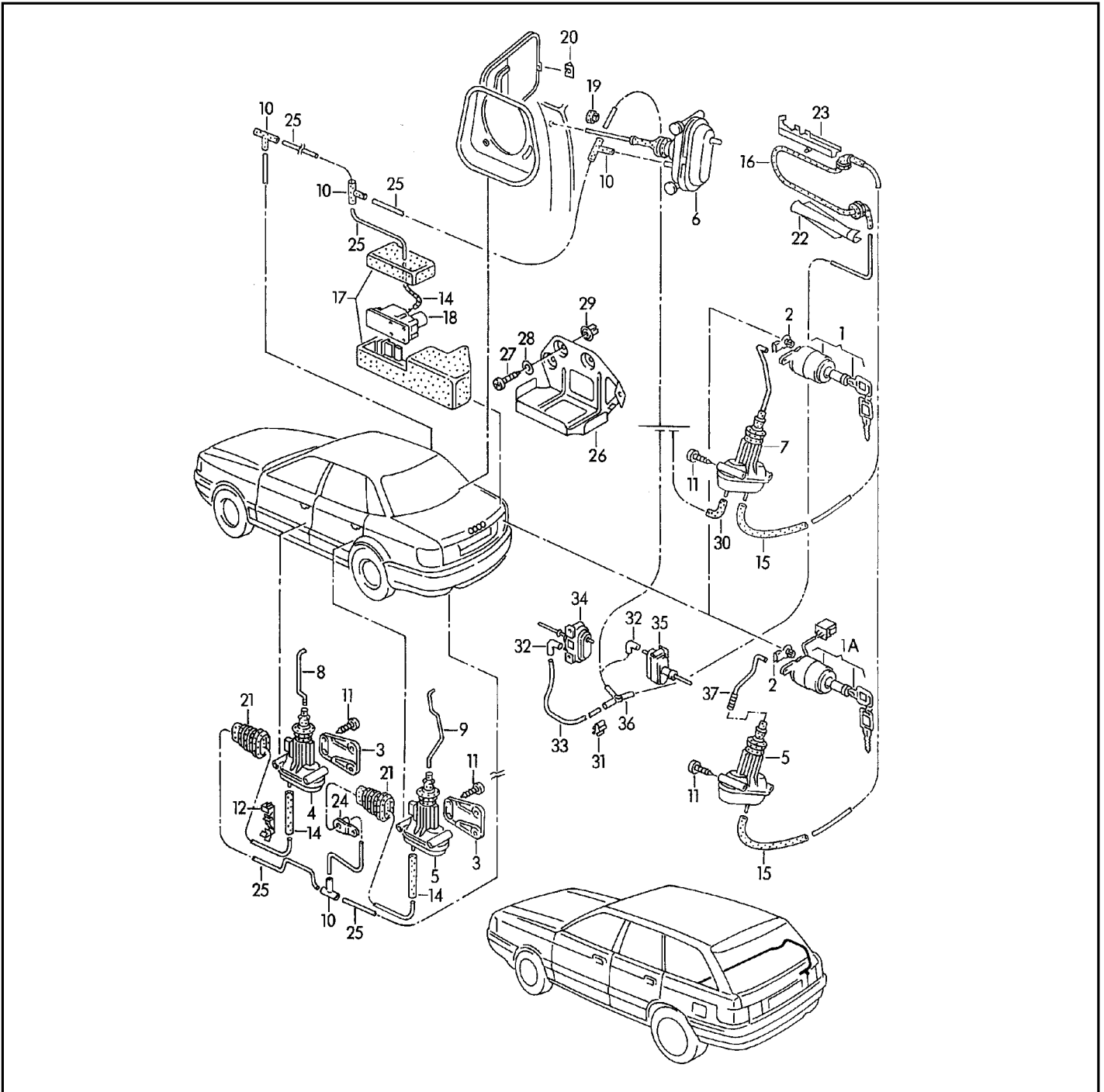




ETKA

Model	Year	MG	SG	Illustration	Restrictions	UPD	2:07	31.10.2010
A80Q	1995	8	62	862-00		828		

EC	TC	VIN No.	FI SUGGESTION	Sales Type
AFC	CPN	WAUCA88C0SA082748		8C24U5





ETKA

Model	Year	MG	SG	Illustration	Restrictions	UPD	2:07	31.10.2010
A80Q	1995	8	62	862-00		828		

EC	TC	VIN No.	FI SUGGESTION	Sales Type
AFC	CPN	WAUCA88C0SA082748		8C24U5

Pos	Part Number	Name	Remarks	Qty	Model
1	4A5 862 055	central locking system lock cylinder with keys and housing profile ah		1	SEDAN
-	4A0 862 057	cap only for:	4A5 862 055	1	SEDAN
2	893 837 821 A	clip	left a. right	1	
3	893 862 123	bracket		4	
(4)	8A0 862 153	control valve for driver and passenger door		2	
5	893 862 153 D	operating valve TUER HINTEN supplied alternatively:	893 862 153 D	2	
6	4A0 862 153 A	operating valve fuel filler door		1	
7	8A5 862 153	operating valve rear trunk lid		1	
(7)	8A5 862 153 B	operating valve for vehicles with backrest, lockable backrest, divided		1	
8	893 862 163	operating rod	front	2	
9	893 862 169	connecting rod	left rear	1	
(9)	893 862 170	connecting rod	right rear	1	
(10)	443 711 758	y-piece		X	
11	433 862 195	screw, cheese hd.	4, 2X16	20	
12	893 862 199 A	clip		X	
-	533 862 225	hose	3, 5X2, 75X540	*	
14		shorten to:	200MM	5	



ETKA

Model	Year	MG	SG	Illustration	Restrictions	UPD	2:07	31.10.2010
A80Q	1995	8	62	862-00		828		

EC	TC	VIN No.	FI SUGGESTION	Sales Type
AFC	CPN	WAUCA88C0SA082748		8C24U5

Pos	Part Number	Name	Remarks	Qty	Model
15		shorten to:	300MM	1	
16	893 862 225 C	connecting hose		1	
16	8A5 862 225 A	connecting hose for vehicles with backrest, lockable backrest, divided		1	SEDAN
17	8A5 862 227	sound absorber for pump		1	
-	8A9 971 850 A	tie wrap	530X14	1	
18	4A0 862 257 H	pump with control module	VDO	1	
(18)	4A0 862 257 J	pump with control module for vehicles with anti-theft alarm system for vehicles with infrared locking system		1	
19	893 862 278 A	grommet		1	
(19)	N 020 024 1	plug	10X1X12	X	
20	893 862 290	protective cap		1	
21	4A0 959 845 C	boot	52X30/47X27/ 50X30	4	
22	8A5 971 824 B	guide piece rear trunk lid		1	
23	8A5 862 296	guide piece rear trunk lid		1	
(23)	8A5 862 296 B	guide piece rear trunk lid for vehicles with backrest, lockable backrest, divided		1	
24	893 971 824 D	guide piece pillar b		2	
25	7M0 955 961 B	tube	5X1X6000MM	X	
-	N 905 929 01	clip	25X12X4, 9	8	
30	893 955 665	elbow		1	



ETKA

Model	Year	MG	SG	Illustration	Restrictions	UPD	2:07	31.10.2010
A80Q	1995	8	62	862-00		828		

EC	TC	VIN No.	FI SUGGESTION	Sales Type
AFC	CPN	WAUCA88C0SA082748		8C24U5

Pos	Part Number	Name	Remarks	Qty	Model
31	803 971 847	cable clamp	5MM	X	
32	034 133 784	angled hose backrest lock	3,5MM	2	
33	8A5 862 183	guide tube backrest lock		2	
34	8A5 862 153 A	operating valve backrest lock	left	1	
35	8A5 862 154 A	operating valve backrest lock	right	1	
36	443 711 758	y-piece y-piece		1	