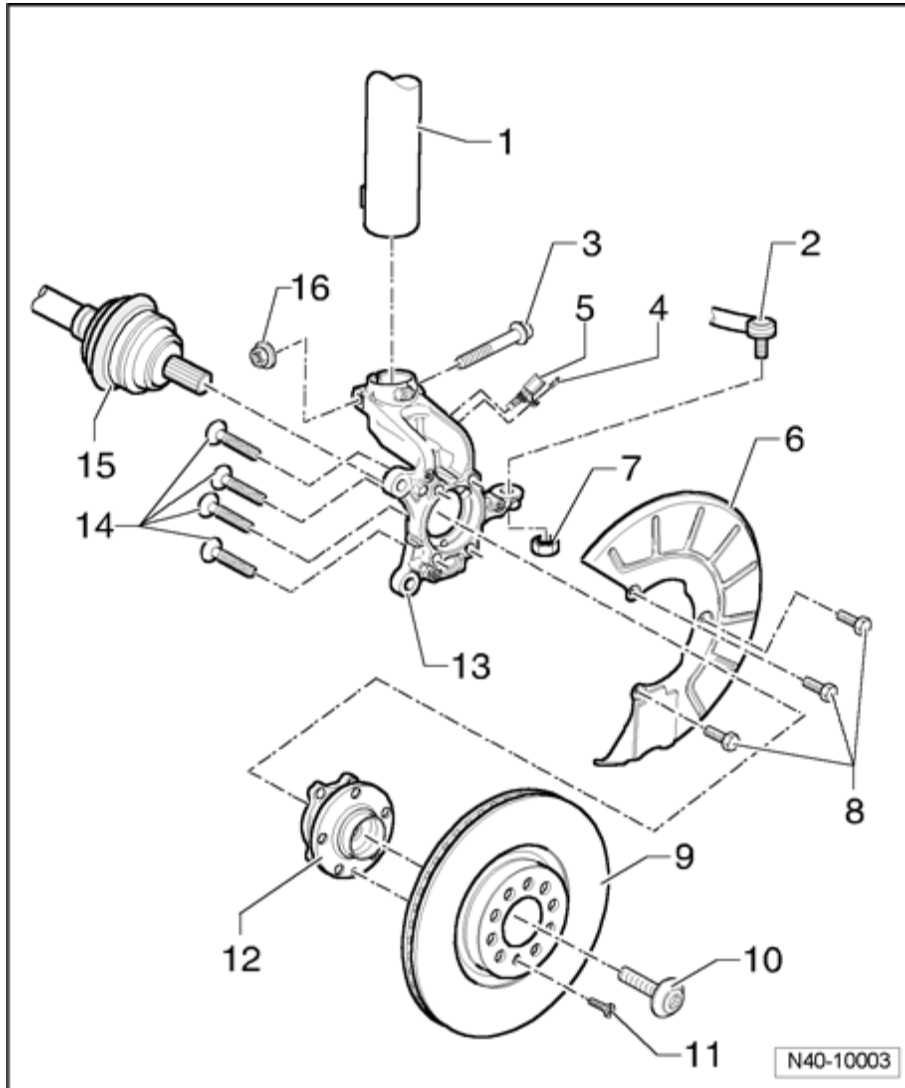


**Audi > A3 > 2006**  
**Suspension, Front and All Wheel Drive**  
**40 - Wheel bearing housing, wheel bearing unit**

**Wheel bearing housing and wheel bearing unit, assembly overview**



**1 - Suspension strut**

**2 - Tie rod end**

**3 - Socket head bolt**

◆ Threaded end of bolt must point in direction of travel

**4 - Socket-head bolt 8 Nm**

- ◆ M6 x 16

### **5 - Left Front ABS Wheel Speed Sensor G47 / Right Front ABS Wheel Speed Sensor G45**

- ◆ Can be tested in "Guided Fault Finding" using the Vehicle Diagnosis, Testing and Information system VAS 5051B
- ◆ Before inserting sensor, clean inner surface of bore hole and coat with solid lubricant G 000 650

### **6 - Cover plate**

### **7 - Hex nut, 20 Nm plus an additional 90 ° turn**

- ◆ Self-locking
- ◆ Always replace after removal

### **8 - Hex bolt, 12 Nm**

- ◆ M6 x 10

### **9 - Vented brake rotor**

### **10 - Hex bolt, 200 Nm plus an additional 180 ° turn**

- ◆ M16 x 1.5 x 70
- ◆ Always replace after removal

### **Vehicle must not be raised when tightening**

### **11 - Philips-head screw 4 Nm**

- ◆ M6 x 16

### **12 - Wheel hub with wheel bearing**

- ◆ ABS sensor ring is installed in wheel hub
- ◆ Various versions
- ◆ Allocation Electronic parts catalog (ETKA)

### **13 - Wheel bearing housing**

- ◆ Allocation Electronic parts catalog (ETKA)

**14 - Socket head bolt, 70 Nm and turn an additional 90 °**

- ◆ M12 x 1.5 x 45
- ◆ Always replace after removal

**15 - Drive axle**

**16 - Hex nut, 70 Nm plus an additional 90 ° turn**

- ◆ Self-locking
- ◆ Always replace after removal

*Copyright © 2006 Audi of America, Inc. and Bentley Publishers. All rights reserved. Last processed: March 24 2005 08:03 AM*