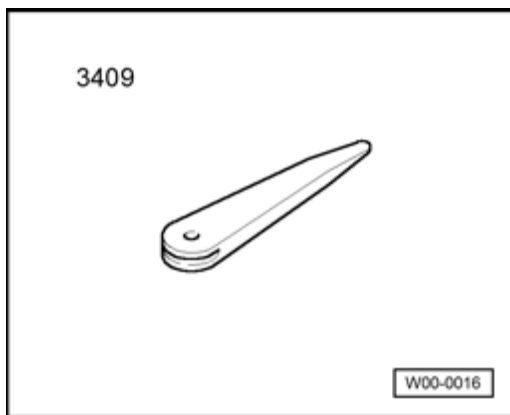


**Audi > A3 > 2006 - 2007**  
**Body Interior**  
**70 - Front Door Trim**

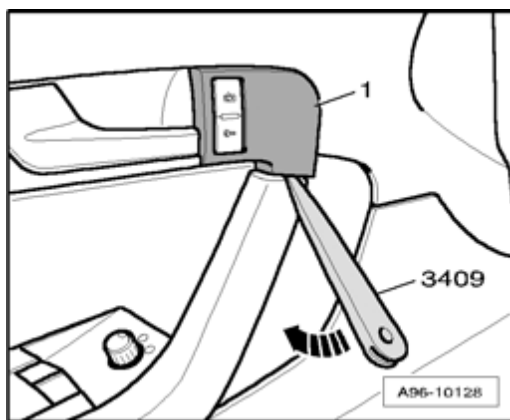
.

## Front Central Locking Switch, Removing and Installing

Special tools, testers and auxiliary items required

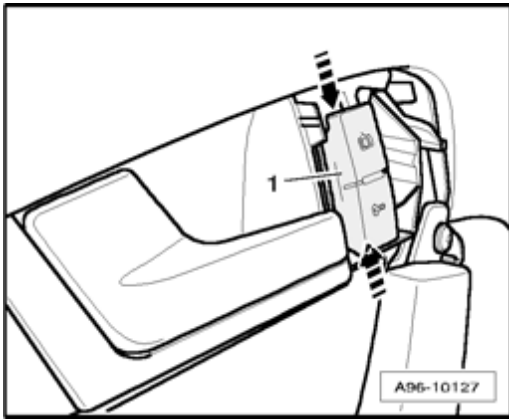


◆ Trim removal wedge 3409



### Removing

- Switch off ignition and remove ignition key.
- Carefully remove cover - 1 - from retaining clips - **arrow** - with Trim Removal Wedge 3409 .



- Release retaining clips - **arrows** - and carefully remove central locking switch - **1** - from drivers side door trim.
- Disconnect electrical connector.

### Installing

Installation is reverse of removal, but note the following:

- Press central locking switch into switch mount until retaining hooks engage.

*Copyright © 2008 Audi of America, Inc. and Bentley Publishers. All rights reserved. Last processed:*