

Removing and installing loudspeaker trim (centre)

Special tools and workshop equipment required

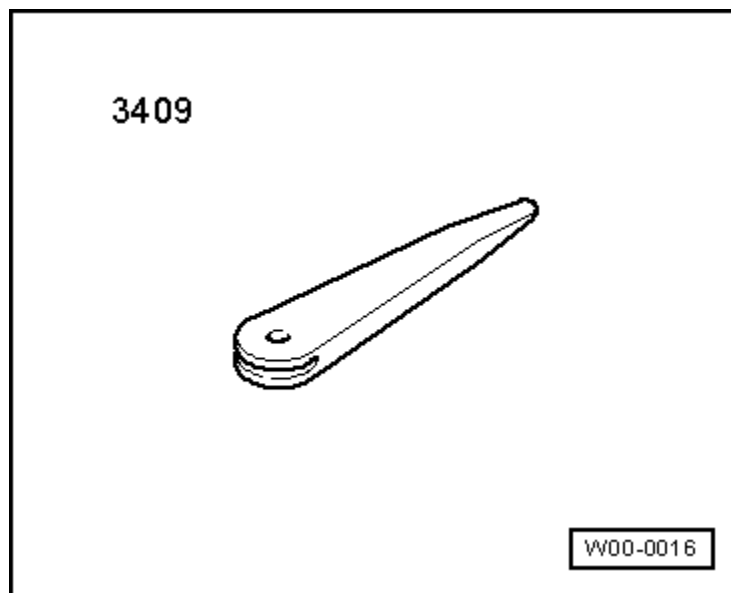
- ◆ Removal wedge -3409-

Removing



Note

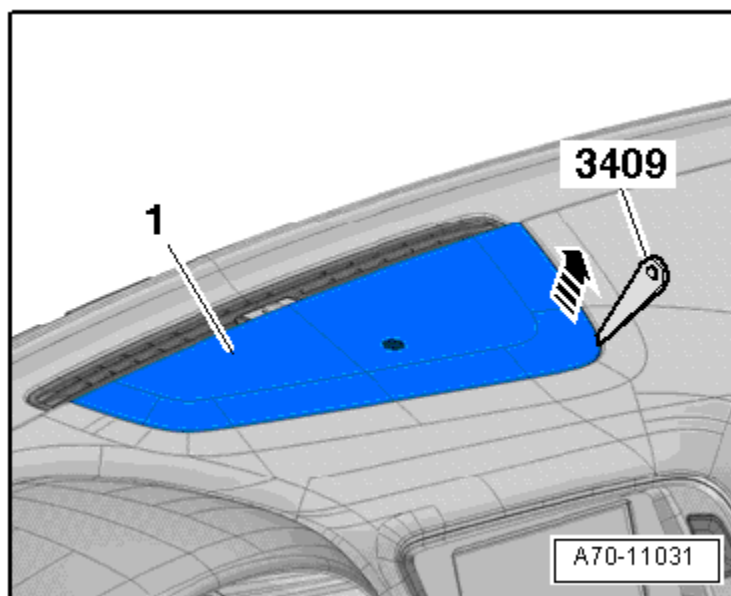
Be very careful when removing and installing, as loudspeaker trim can be damaged quite easily.



- Use removal wedge -3409- to carefully disengage loudspeaker trim -1--arrow- at retaining pins at rear (as seen in direction of travel).
- Lift loudspeaker trim slightly at rear, disengage it from defroster vent at front and take it out towards rear.

Installing

- First insert loudspeaker trim in front of dash panel and press on until it engages audibly.



Removing and installing top defroster vent (centre)

Removing

- Remove loudspeaker trim (centre)
→ Chapter.
- Unscrew bolts -2 ... 7- and detach defroster vent (top centre) -1- from dash panel towards rear.
- Unplug electrical connector for sunlight penetration photosensor -G107-.

Installing

Install in reverse order of removal; note the following:

- Engage retaining tabs in dash panel at front of defroster vent.

Tightening torque → Chapter „Exploded view of dash panel“

