

Account

Vehicle

Help

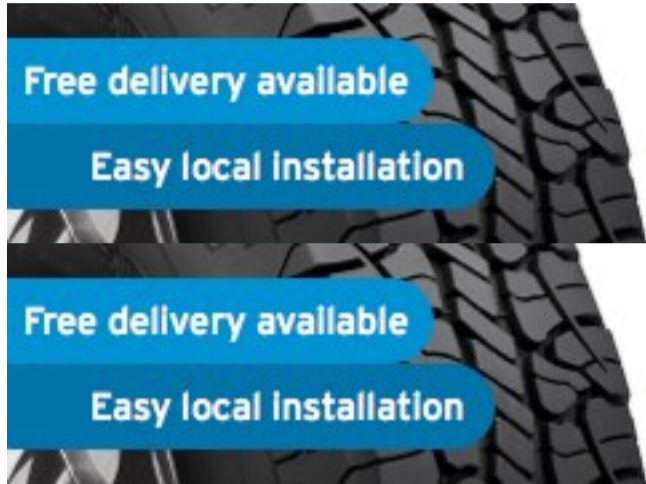
Search

Contact

AutoZone Community

Exit

Your Vehicle: 2010 Audi Q7 Quattro (4LB) V6-3.0L DSL Turbo (CATA)



SAVE \$25
instantly on 4 tires!

tirebuyer.com

SAVE NOW >

SAVE \$25
instantly on 4 tires!

tirebuyer.com

SAVE NOW >

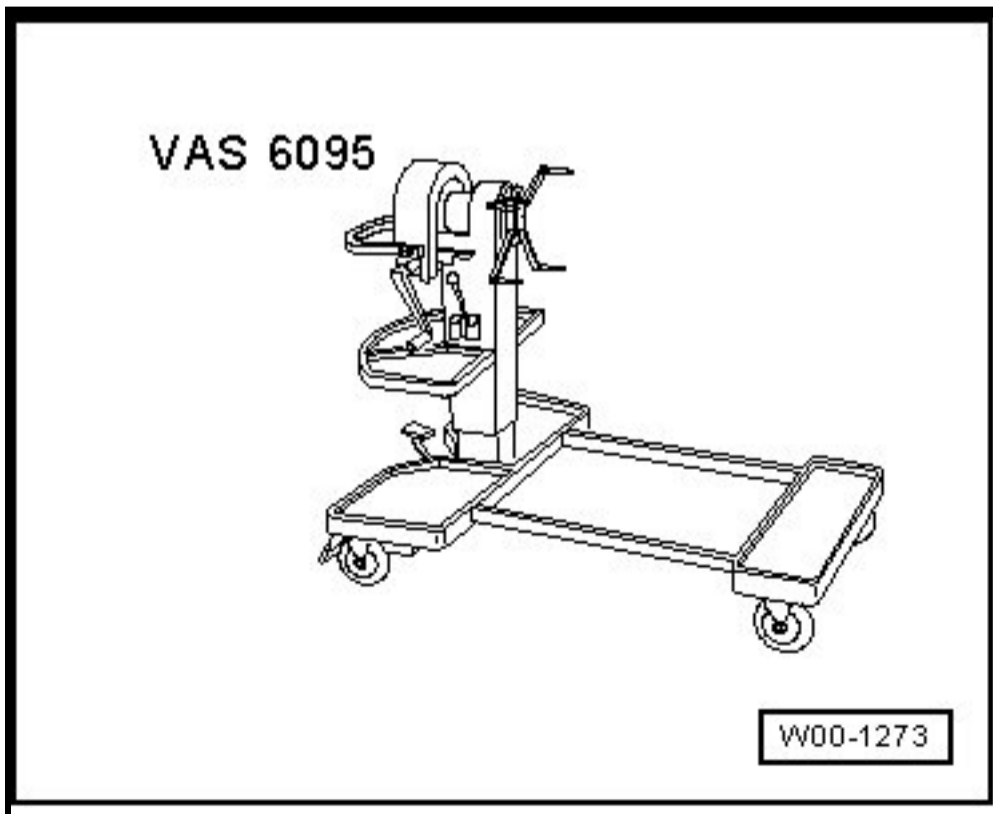
[Vehicle](#) » [Body and Frame](#) » [Seats](#) » [Service and Repair](#) » [Removal and Replacement](#) » [Power Front Seats -Memory Seat, Power Seat](#) » [Driver Seat Angle Adjustment Motor V243 or V244](#)

Driver Seat Angle Adjustment Motor V243 or V244

Driver Seat Angle Adjustment Motor V243 or V244

Special tools, testers and auxiliary items required

- ⌘ Engine and transmission holder (VAS 6095)

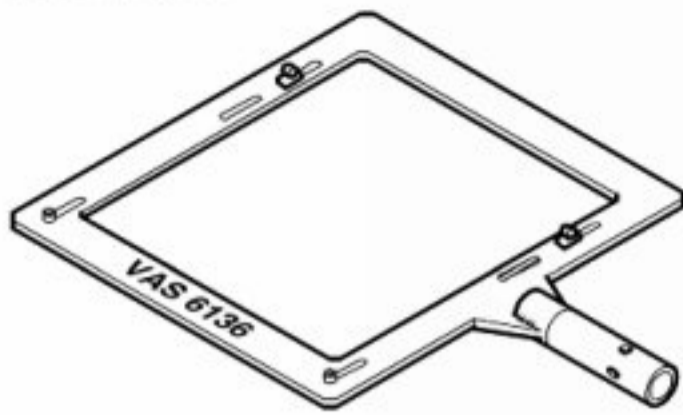


Zoom

Sized for Print

- ⌘ Fixture for seat repair (VAS 6136)

VAS 6136



W00-1274

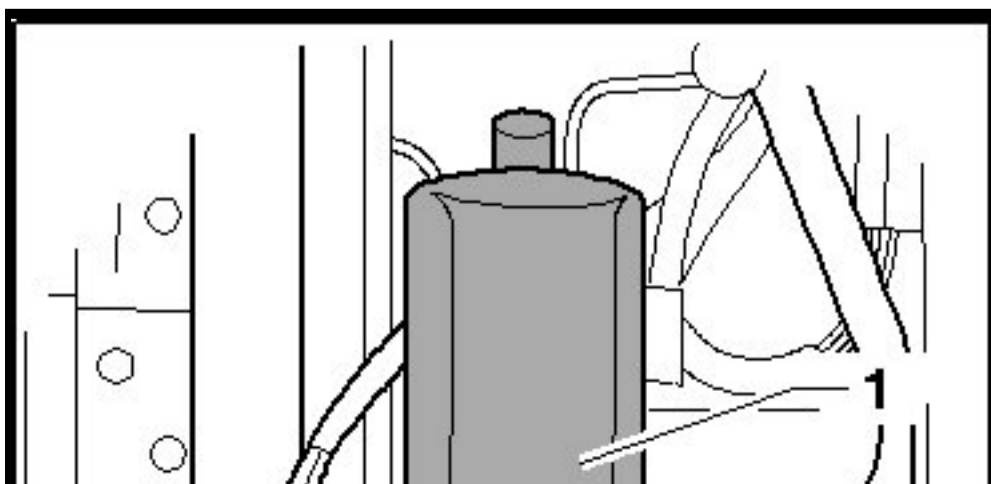
Zoom

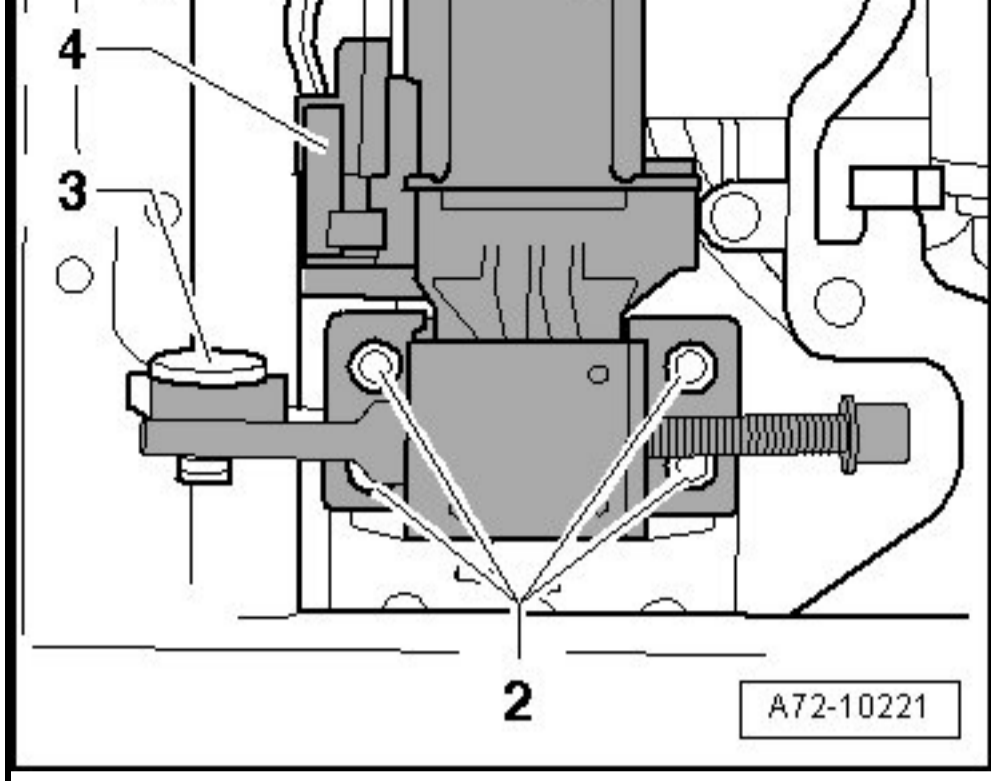
Sized for Print

Removing

Follow all safety precautions when working on pyrotechnic components. Refer to => [Restraint System Components, Safety Precautions and General Information] See: Repairs and Inspections Required After a Collision\Service and Repair\Restraint System Components, Safety Precautions and General Information.

- Remove the seat. Refer to => [Front Seat] See: Front Seat.
- Mount the fixture for seat repair (VAS 6136) on the engine and transmission holder (VAS 6095).
- Attach the front seat to the fixture for seat repair (VAS 6136).
- Remove screws - 2 - (quantity: 4).





Zoom

Sized for Print

- Remove the bolt - **3** -.
- Remove connector - **4** -.
- Remove Driver Seat Inclination Adjustment Motor (V243) or (V244) - **1** -.

Installation

Follow all safety precautions when working on pyrotechnic components. Refer to => [Restraint System Components, Safety Precautions and General Information] [See: Repairs and Inspections Required After a Collision\Service and Repair\Restraint System Components, Safety Precautions and General Information.](#)

Install in reverse order of removal. Note the following:

Before handling airbag units (for example, when disconnecting the harness connector), the person handling them must "discharge static electricity". For example, by briefly touching the door striker pin.

- Ensure connectors are engaged correctly.
- ⌘ Make sure the connectors are installed all the way in and are secure.
- ⌘ Make sure the wires do not get caught.

Ignition must be on when connecting battery. If pyrotechnic components (for example, airbag, belt tensioner) are not repaired correctly, they may deploy unintentionally after connecting battery. Maintain personal safety when connecting the battery by staying out of airbag deployment areas, keeping a distance from belt tensioners/seat belts and ensuring no other people are in the vehicle interior at the moment when the battery is connected.

- Switch on ignition.
- Connect the battery ground cable with the ignition turned on.
- If the airbag indicator lamp (K75) indicates a fault after installation, the DTC memory must be checked, deleted and checked again. Refer to Vehicle diagnostic tester.