

Account

Vehicle

Help

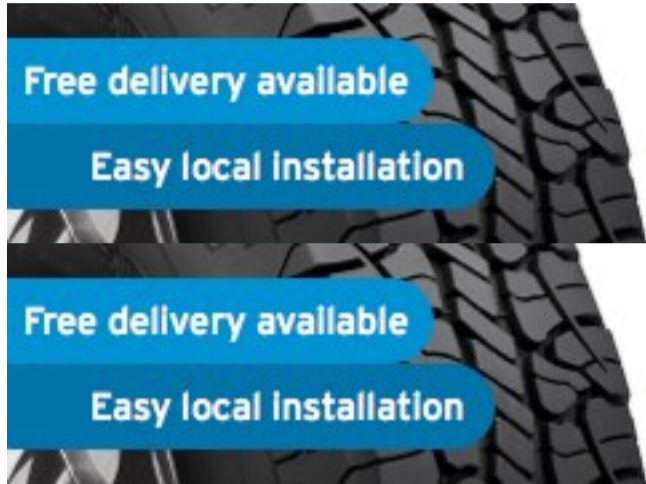
Search

Contact

AutoZone Community

Exit

Your Vehicle: 2010 Audi Q7 Quattro (4LB) V6-3.0L DSL Turbo (CATA)



SAVE \$25  
instantly on 4 tires!

tirebuyer.com

SAVE NOW >

SAVE \$25  
instantly on 4 tires!

tirebuyer.com

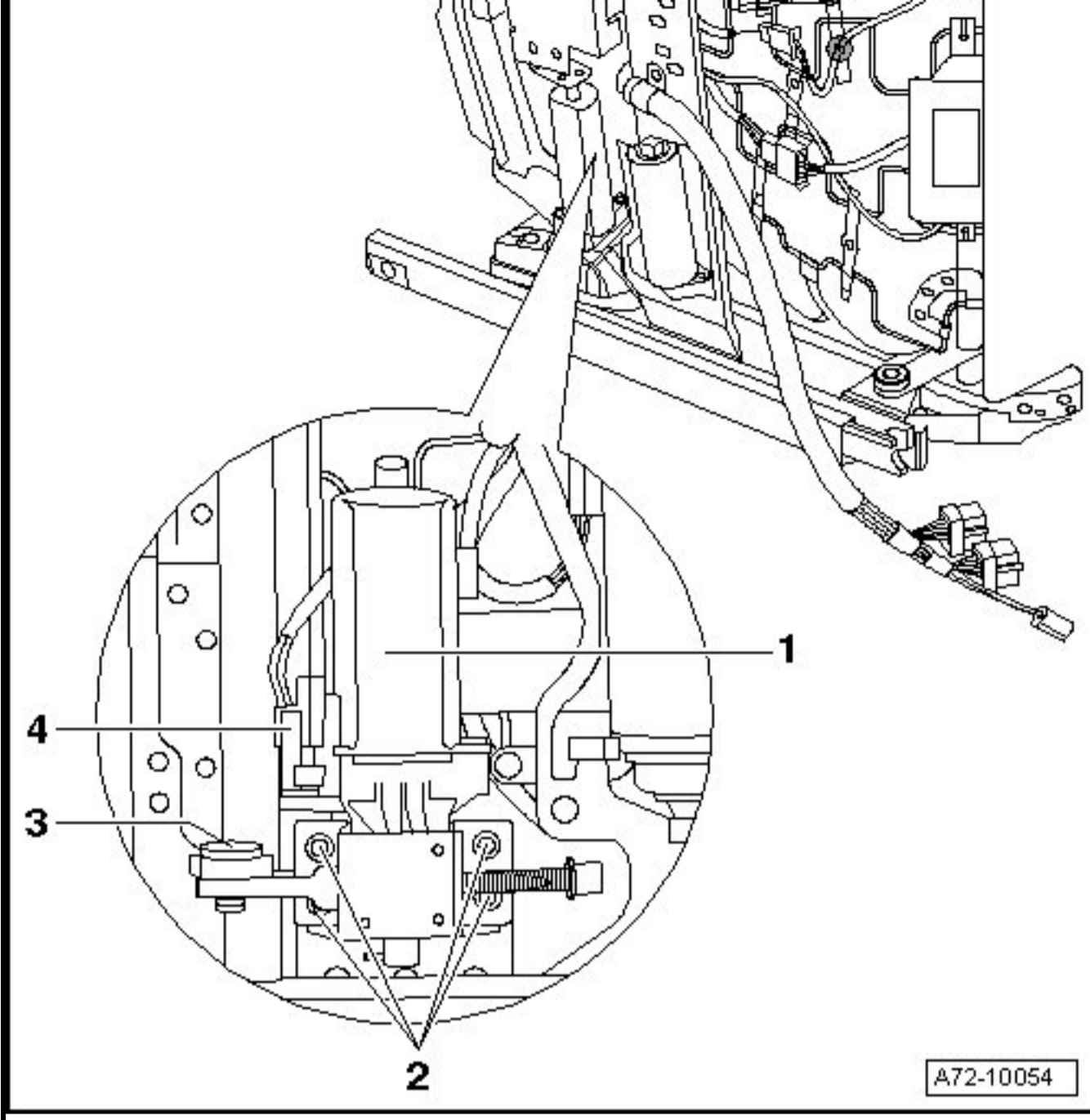
SAVE NOW >

[Vehicle](#) » [Body and Frame](#) » [Seats](#) » [Description and Operation](#) » [Power Front Seats With Memory](#) » [Seat Angle Adjustment Motor V244/V243 Assembly Overview](#)

Seat Angle Adjustment Motor V244/V243 Assembly Overview

Seat Angle Adjustment Motor V244/V243 Assembly Overview





Zoom

Sized for Print

### 1 Seat angle adjustment motor

- ✘ Driver side (V243)
- ✘ Passenger side (V244)
- ✘ Removing and Installing, refer to => [ Driver Seat Angle Adjustment Motor V243 or V244 ] [See: Service and Repair\Removal and Replacement\Power Front Seats -Memory Seat, Power Seat\Driver Seat Angle Adjustment Motor V243 or V244](#)

### 2 Bolt

- ✘ 12 Nm
- ✘ Quantity: 4

### 3 Bolt

- ✘ 20 Nm

### 4 Connector