

Account

Vehicle

Help

Search

Contact

AutoZone Community

Exit

Your Vehicle: 2010 Audi Q7 Quattro (4LB) V6-3.0L DSL Turbo (CATA)



SAVE \$25
instantly on 4 tires!

tirebuyer.com

SAVE NOW >

SAVE \$25
instantly on 4 tires!

tirebuyer.com

SAVE NOW >

[Vehicle](#) » [Body and Frame](#) » [Seats](#) » [Description and Operation](#) » [Power Front Seats With Memory](#) » [Driver Seat Assembly Overview](#)

Driver Seat Assembly Overview

Driver Seat Assembly Overview

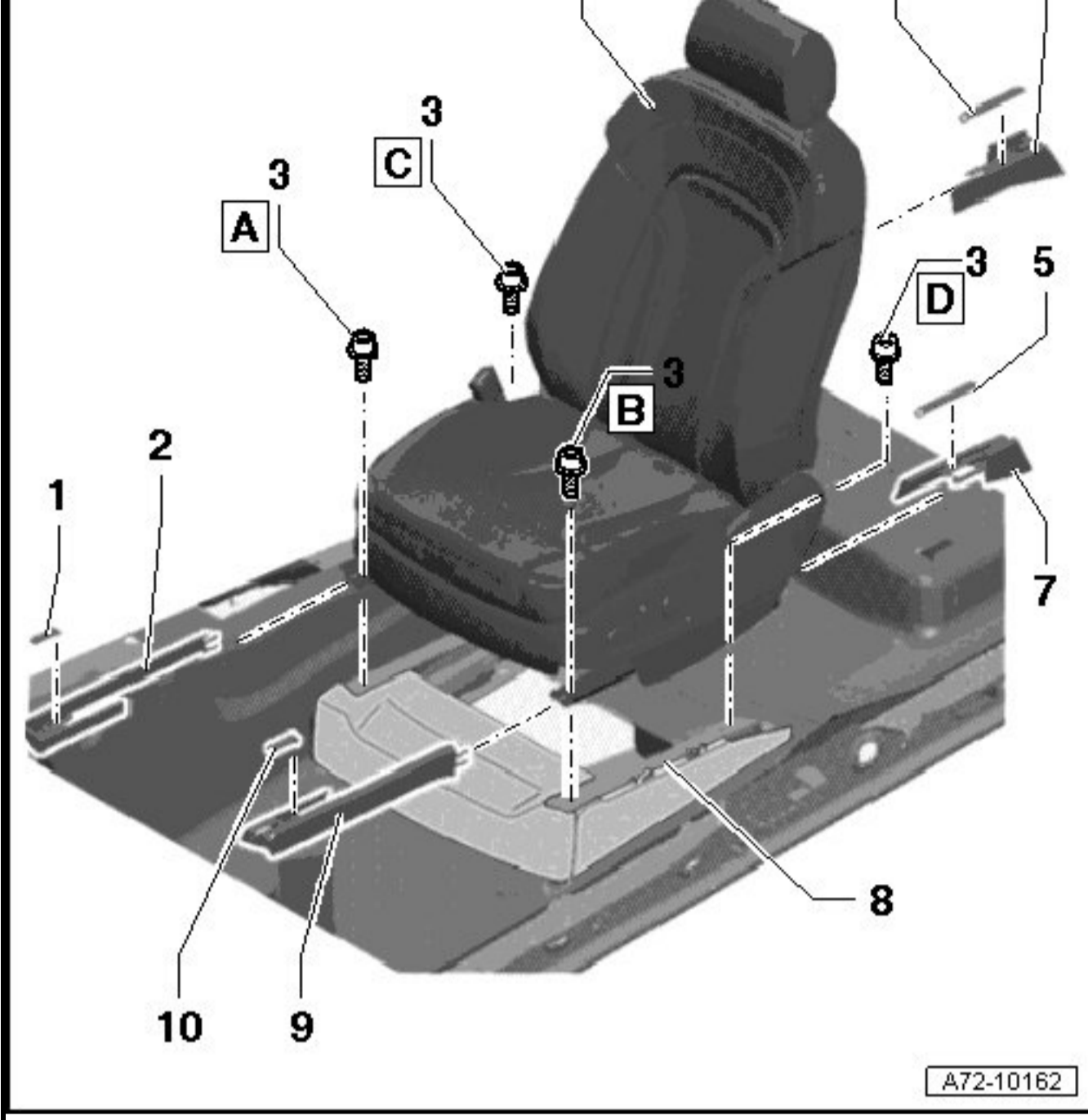
⌘ When installing driver's seat, follow screw installation sequence.

- Position screws - **3** - in sequence - **A** -, - **B** -, - **C** - and - **D** - and tighten to the specification in same sequence.

4

5

6



A72-10162

Zoom

Sized for Print

1 Front spindle cover

- ✘ Clipped in
- ✘ Removing and Installing, refer to => [Seat Rail Covers] [See: Service and Repair\Removal and Replacement\Power Front Seats -Memory Seat, Power Seat\Seat Rail Covers](#)

2 Seat rail cover cap

- ✘ Removing and Installing, refer to => [Seat Rail Covers] [See: Service and Repair\Removal and Replacement\Power Front Seats -Memory Seat, Power Seat\Seat Rail Covers](#)

3 Screw, self-locking

- ✘ 45 Nm
- ✘ Always replace if removed
- ✘ Clean nut threads before installing new screws
- ✘ Observe installation sequence

4 Driver seat

- ✘ Removing and Installing, refer to => [Front Seat] [See: Service and Repair\Removal and Replacement\Power Front Seats -Memory Seat, Power Seat\Front Seat](#)

- ✘ Removing the front seat in the case of a faulty control module or seat forward/back adjustment motor, refer => [Front Seat in Case of a Faulty Control Module or Seat Forward/Back Adjustment Motor] [See: Service and Repair\Removal and Replacement\Power Front Seats -Memory Seat, Power Seat\Front Seat In Case of a Faulty Control Module or Seat Forward/Back Adjustment Motor](#)

5 Rear spindle cover

- ✘ Connected
- ✘ Removing and Installing, refer to => [Seat Rail Covers] [See: Service and Repair\Removal and Replacement\Power Front Seats -Memory Seat, Power Seat\Seat Rail Covers](#)

6 Seat rail cover cap

- ✘ Removing and Installing, refer to => [Seat Rail Covers] [See: Service and Repair\Removal and Replacement\Power Front Seats -Memory Seat, Power Seat\Seat Rail Covers](#)

7 Seat rail cover cap

- ✘ Removing and Installing, refer to => [Seat Rail Covers] [See: Service and Repair\Removal and Replacement\Power Front Seats -Memory Seat, Power Seat\Seat Rail Covers](#)

8 Driver seat **console**

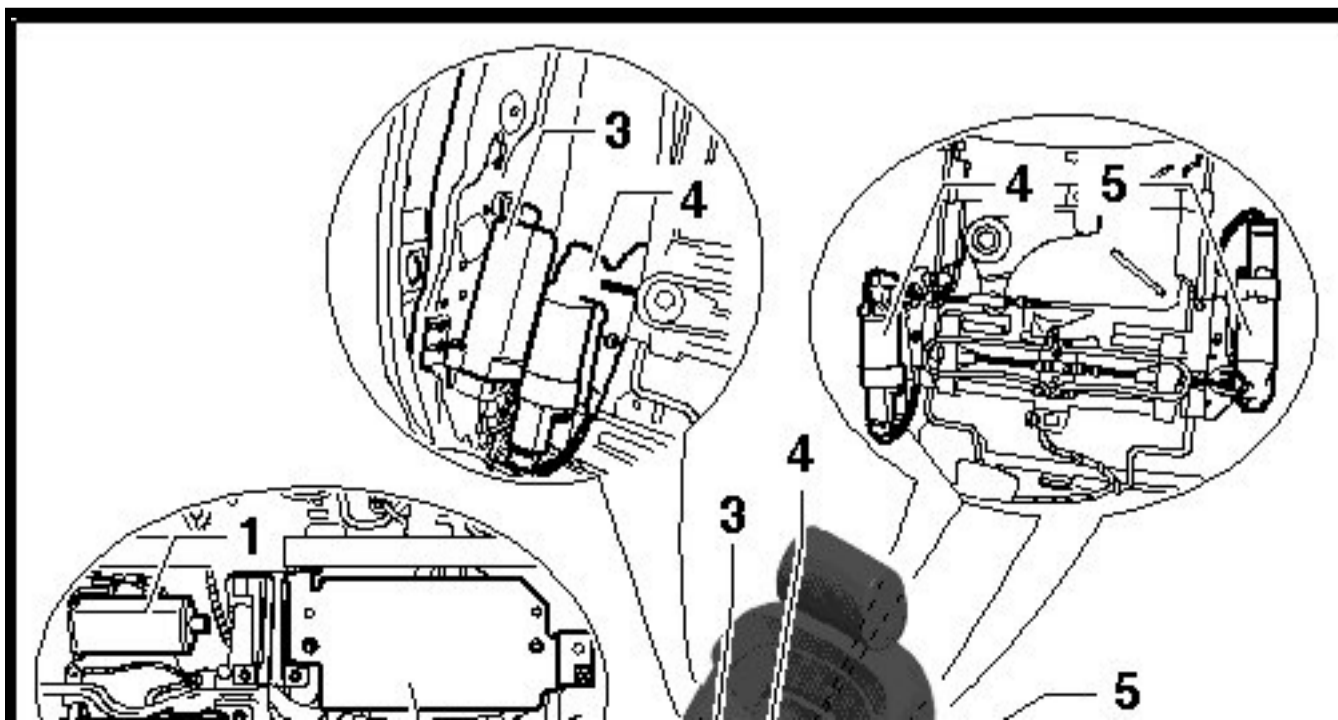
9 Seat rail cover cap

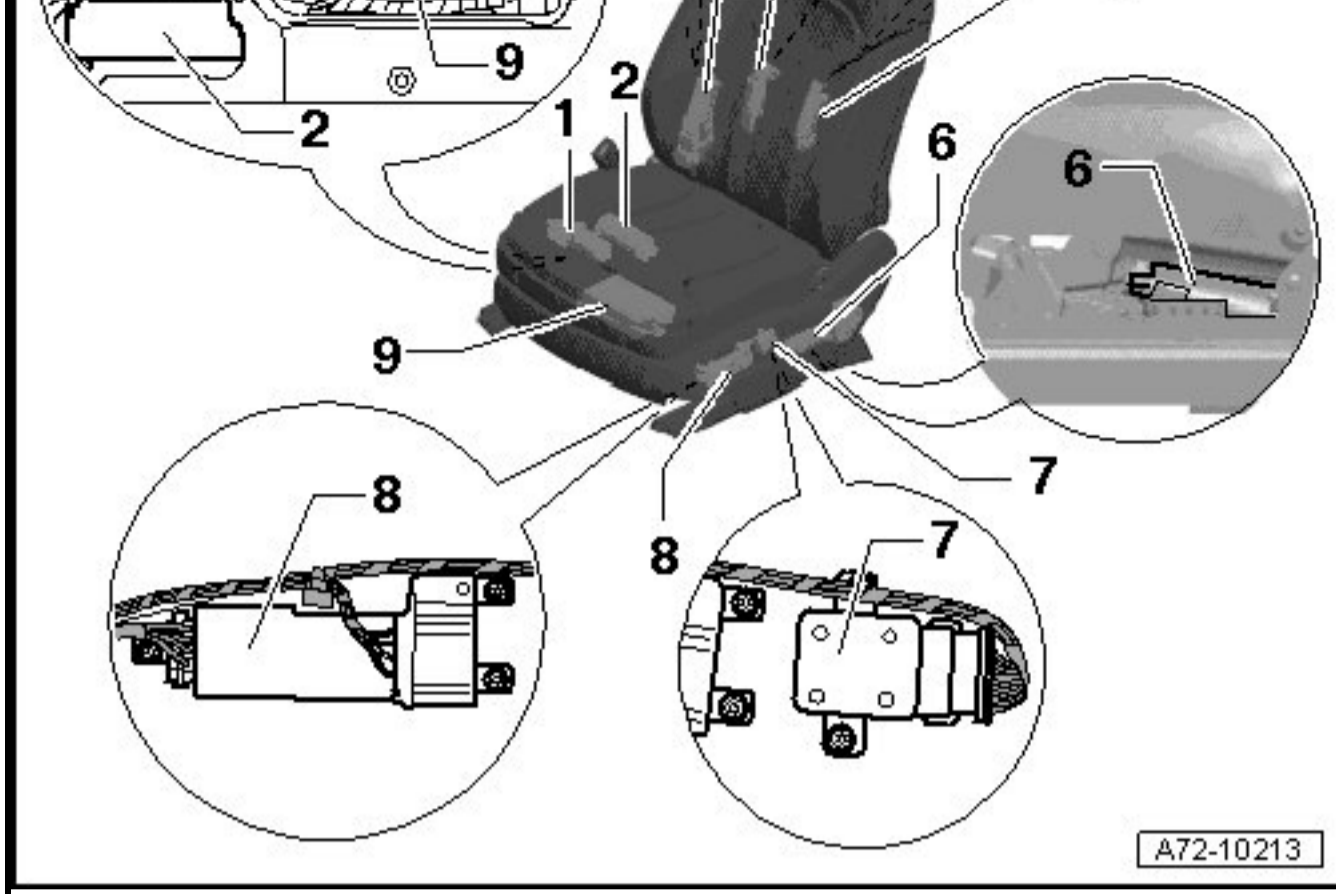
- ✘ Removing and Installing, refer to => [Seat Rail Covers] [See: Service and Repair\Removal and Replacement\Power Front Seats -Memory Seat, Power Seat\Seat Rail Covers](#)

10 Front spindle cover

- ✘ Clipped in
- ✘ Removing and Installing, refer to => [Seat Rail Covers] [See: Service and Repair\Removal and Replacement\Power Front Seats -Memory Seat, Power Seat\Seat Rail Covers](#)

Electrical Component Overview





Zoom

Sized for Print

1 Seat angle adjustment motor

- ✘ Driver side (V243)
- ✘ Passenger side (V244)
- ✘ Seat angle adjustment motor => [[Seat Angle Adjustment Motor V244/V243 Assembly Overview](#)] [See: Seat Angle Adjustment Motor V244/V243 Assembly Overview](#)
- ✘ Removing and Installing, refer to => [[Driver Seat Angle Adjustment Motor V243 or V244](#)] [See: Service and Repair\Removal and Replacement\Power Front Seats -Memory Seat, Power Seat\Driver Seat Angle Adjustment Motor V243 or V244](#)

2 Seat forward/back adjustment motor (V288)

- ✘ Seat Fore/Aft Adjustment Motor => [[Seat Forward/Back Adjustment Motor V288 Assembly Overview](#)] [See: Seat Forward/Back Adjustment Motor V288 Assembly Overview](#)
- ✘ Removing and Installing, refer to => [[Seat Forward/Back Adjustment Motor V288](#)] [See: Service and Repair\Removal and Replacement\Power Front Seats -Memory Seat, Power Seat\Seat Forward/Back Adjustment Motor V288](#)

3 Backrest adjustment motor

- ✘ Driver side (V45)
- ✘ passenger side (V46)
- ✘ Backrest adjustment motor => [[Front Seat Backrest Adjustment Motors V45/V46 Assembly Overview](#)] [See: Front Seat Backrest Adjustment Motors V45/V46 Assembly Overview](#)
- ✘ Removing and Installing, refer to => [[Driver's Backrest Adjustment Motor V45 or V46](#)] [See: Service and Repair\Removal and Replacement\Power Front Seats -Memory Seat, Power Seat\Driver's Backrest Adjustment Motor V45 or V46](#)

4 Lumbar support curvature adjustment motor

- ✘ Driver side (V125)
- ✘ passenger side (V126)
- ✘ Lumbar support curvature adjustment motor => [[Lumbar Support Curvature and Height Adjustment Motors](#)] [See: Lumbar](#)

- ✘ Lumbar support curvature adjustment motor => [Lumbar Support Curvature and Height Adjustment Motors] [See: Lumbar Support Curvature and Height Adjustment Motors](#)
- ✘ Removing and Installing, refer to => [Lumbar Support Curvature Adjustment Motors V125 and V126] [See: Service and Repair\Removal and Replacement\Power Front Seats -Memory Seat, Power Seat\Lumbar Support Curvature Adjustment Motors V125 and V126](#)

5 Lumbar support height adjustment motor

- ✘ Driver side (V129)
- ✘ Passenger side (V130)
- ✘ Lumbar support height adjustment motor => [Lumbar Support Curvature and Height Adjustment Motors] [See: Lumbar Support Curvature and Height Adjustment Motors](#)
- ✘ Removing and Installing, refer to => [Lumbar Support Height Adjustment Motors V129 and V130] [See: Service and Repair\Removal and Replacement\Power Front Seats -Memory Seat, Power Seat\Lumbar Support Height Adjustment Motors V129 and V130](#)

6 Seat height adjustment motor

- ✘ Driver side (V245)
- ✘ Passenger side (V246)
- ✘ Removing and Installing, refer to => [Seat Height Adjustment Motor V245/V246] [See: Service and Repair\Removal and Replacement\Power Front Seats -Memory Seat, Power Seat\Seat Height Adjustment Motor V245/V246](#)

7 Lumbar support adjustment switch

- ✘ Driver side (E176)
- ✘ Passenger side (E177)
- ✘ Lumbar support adjustment switch => [Lumbar Support Adjustment Switch E176/E177] [See: Lumbar Support Adjustment Switch E176/E177](#)
- ✘ Removing and Installing, refer to => [Lumbar Support Adjustment Switches E176 and E177] [See: Service and Repair\Removal and Replacement\Power Front Seats -Memory Seat, Power Seat\Lumbar Support Adjustment Switches E176 and E177](#)

8 Switch

- ✘ For seat fore and aft adjustment (E418)
- ✘ For inclination adjustment (E421)
- ✘ For seat height adjustment (E424)
- ✘ For backrest adjustment (E425)
- ✘ All switches listed are combined in a single housing and cannot be replaced individually.
- ✘ Switch, refer to=> [Fore and Aft, Inclination, Height and Backrest Adjustment Switch E418/E421/E424/E425] [See: Fore and Aft, Inclination, Height and Backrest Adjustment Switch E418/E421/E424/E425](#)
- ✘ Removing and Installing, refer to => [Seat Adjustment Motors E418, E421, E424, E425] [See: Service and Repair\Removal and Replacement\Power Front Seats -Memory Seat, Power Seat\Seat Adjustment Motors E418, E421, E424, E425](#)

9 Control module

- ✘ For seat adjustment and steering column adjustment with memory function (J136)

⌘ For seat adjustment and steering column adjustment with memory function (J136)

⌘ For the front passenger seat adjustment with memory function (J521)

⌘ For seat adjustment and steering column adjustment with memory function => [Memory Seat/Steering Column Adjustment Control Module J136 or Passenger Memory Seat Control Module J521 Assembly Overview] [See: Memory Seat/Steering Column Adjustment Control Module J136 or Passenger Memory Seat Control Module J521 Assembly Overview](#)

⌘ Removing and Installing, refer to => [Memory Seat/Steering Column Adjustment Control Module J136 or Passenger Memory Seat Control Module J521] [See: Service and Repair\Removal and Replacement\Power Front Seats -Memory Seat, Power Seat\Memory Seat/Steering Column Adjustment Control Module J136 or Passenger Memory Seat Control Module J521](#)

[Account](#) | [Vehicle](#) | [Help](#) | [Contact](#) | [AutoZone Community](#) | [Exit](#)

© 2014 ALLDATA, LLC. All Rights Reserved. [Trademarks](#) | [Privacy Policy](#) | [Terms and Conditions](#)