

Account

Vehicle

Help

Search

Contact

AutoZone Community

Exit

Your Vehicle: 2010 Audi Q7 Quattro (4LB) V6-3.0L DSL Turbo (CATA)



SAVE \$25  
instantly on 4 tires!



SAVE \$25  
instantly on 4 tires!

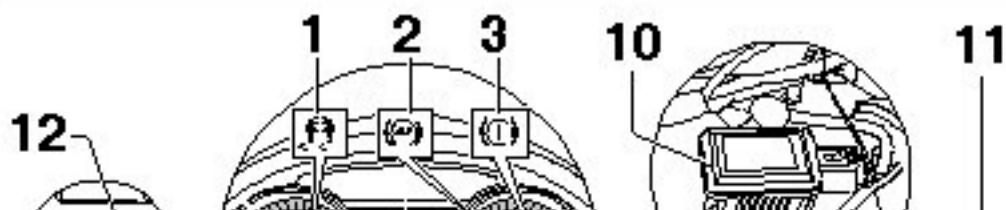


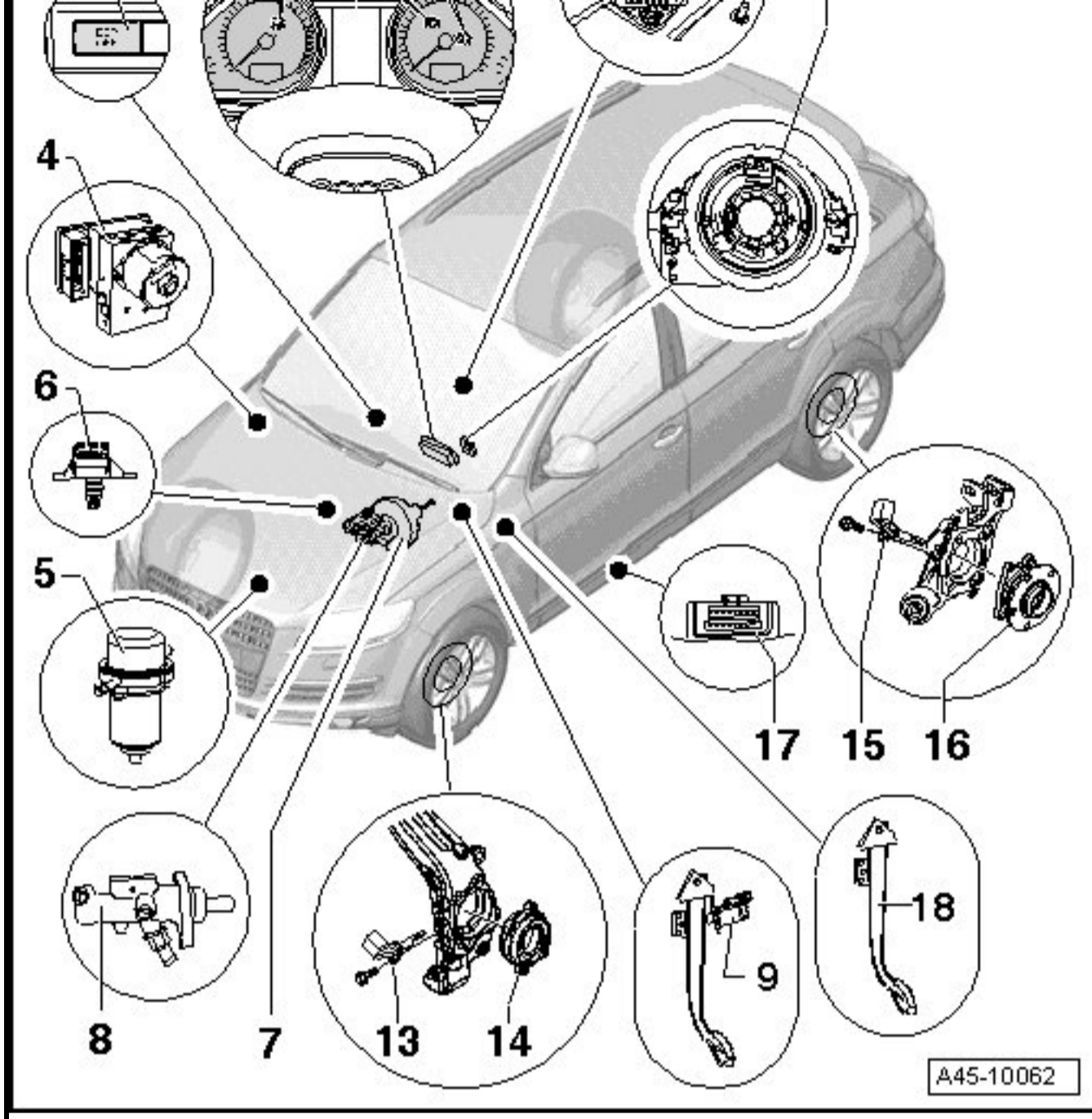
[Vehicle](#) » [Brakes and Traction Control](#) » [Antilock Brakes / Traction Control Systems](#) » [Locations](#) » [Anti-Lock Brake System Component Overview](#)

## Anti-Lock Brake System Component Overview

Anti-Lock Brake System

Anti-Lock Brake System Component Overview





Zoom

Sized for Print

### 1 - ASR/ESP Control Lamp -K155-

- ⌘ Located in the instrument cluster

### 2 - ABS Warning Lamp -K47-

- ⌘ Located in the instrument cluster

### 3 - Brake System Warning Lamp -K118-

- ⌘ Located in the instrument cluster

### 4 - ABS Hydraulic Unit -N55- with ABS Control Module -J104-

- ⌘ With integrated Brake Pressure Sensor 1 -G201- . Brake pressure sensor in ABS Control Module -J104- cannot be replaced
- ⌘ Located in the right plenum chamber below engine control module

The hydraulic control unit includes the following:

- ⌘ ABS Hydraulic Pump -V64-
- ⌘ Valve block (contains the inlet/outlet valves).

### 5 - Brake System Vacuum Pump -V192- => [ Brake System Vacuum Pump Assembly Overview ] See Image Below.

- ⌘ Located front right of the engine compartment

**6 - Brake Booster Pressure Sensor -G294- => [ Brake System Vacuum Pump Assembly Overview ] See Image Below.**

- ⌘ Located in the vacuum hose to brake booster

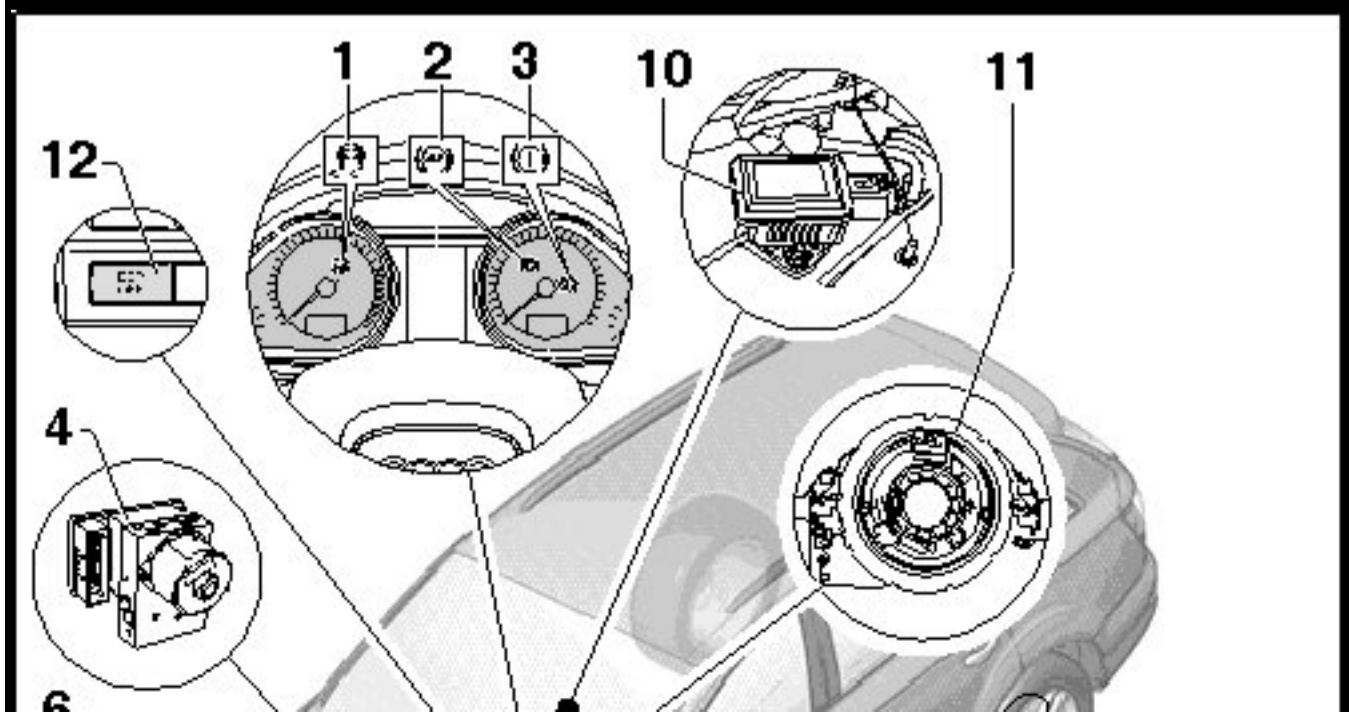
**7 - Brake Booster**

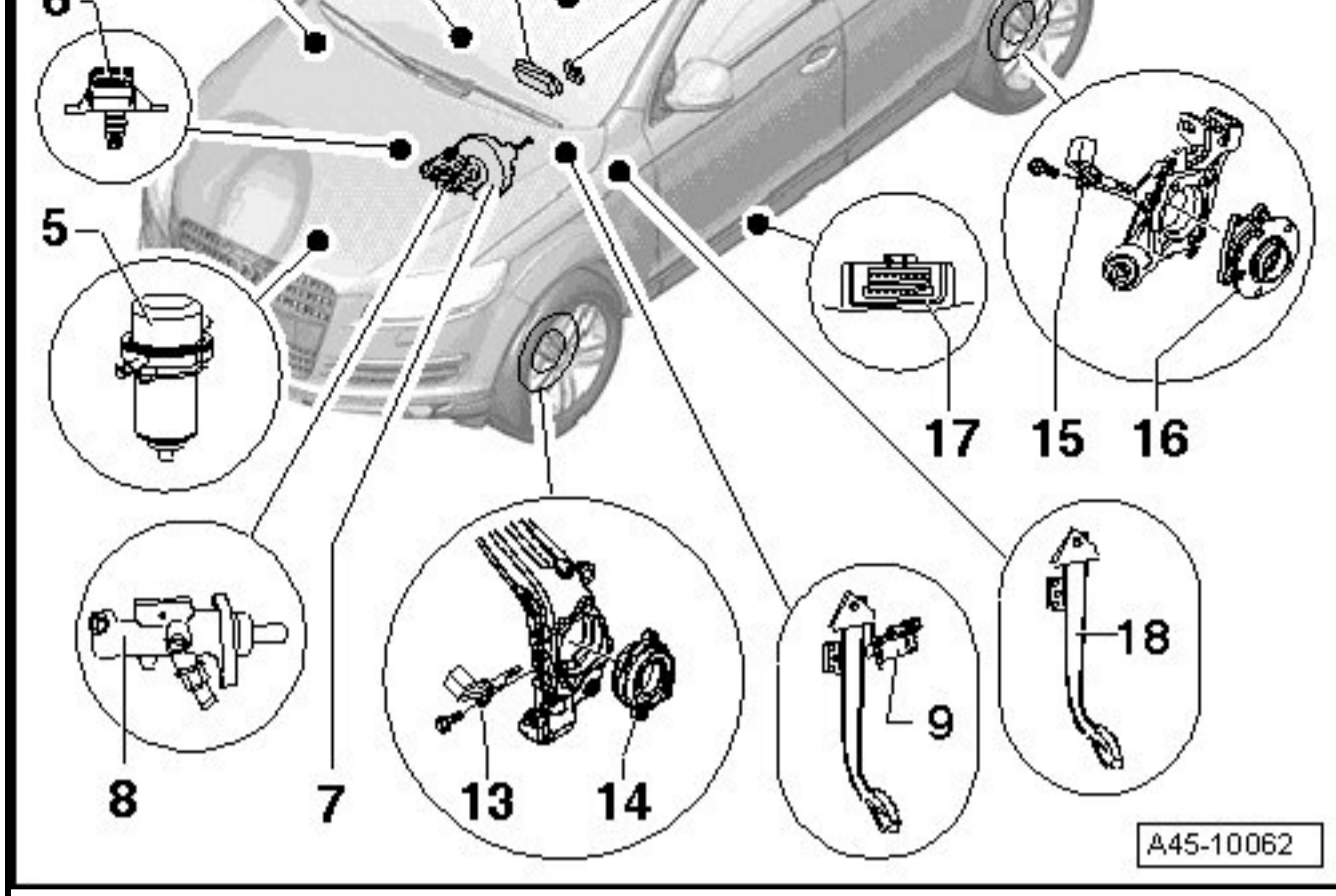
**8 - Brake Master Cylinder**

**9 - Brake Light Switch -F- and Brake Pedal Switch -F47- => [ Brake Light Switch ] See Image Below.**

- ⌘ Located on the brake pedal assembly

**Anti-Lock Brake System Component Overview continued**





Zoom

Sized for Print

**10 - ESP Sensor Unit -G419- => [ ESP Sensor Unit ] See Image Below.**

⌘ Located under the center console

ESP Sensor Unit -G419- is integrated with the following:

- ⌘ Transverse Acceleration Sensor -G200-
- ⌘ Rotation Rate Sensor -G202-
- ⌘ Longitudinal Acceleration Sensor -G251-

**11 - Steering Angle Sensor -G85- => [ Steering Angle Sensor ] See Image Below.**

⌘ Located on the steering column between steering wheel and steering column switch

**12 - ASR/ESP Button -E256-**

**13 - Right Front ABS Wheel Speed Sensor -G45- or Left Front ABS Wheel Speed Sensor -G47- => [ Speed Sensor Front Axle ] See Image Below.**

**14 - Right/left front wheel bearing/wheel hub unit**

⌘ ABS sensor ring is installed in wheel bearing

**15 - Right Rear ABS Wheel Speed Sensor -G44- or Left Rear ABS Wheel Speed Sensor -G46- => [ Speed Sensor Rear Axle ] See Image Below.**

**16 - Right/left rear wheel bearing/wheel hub unit**

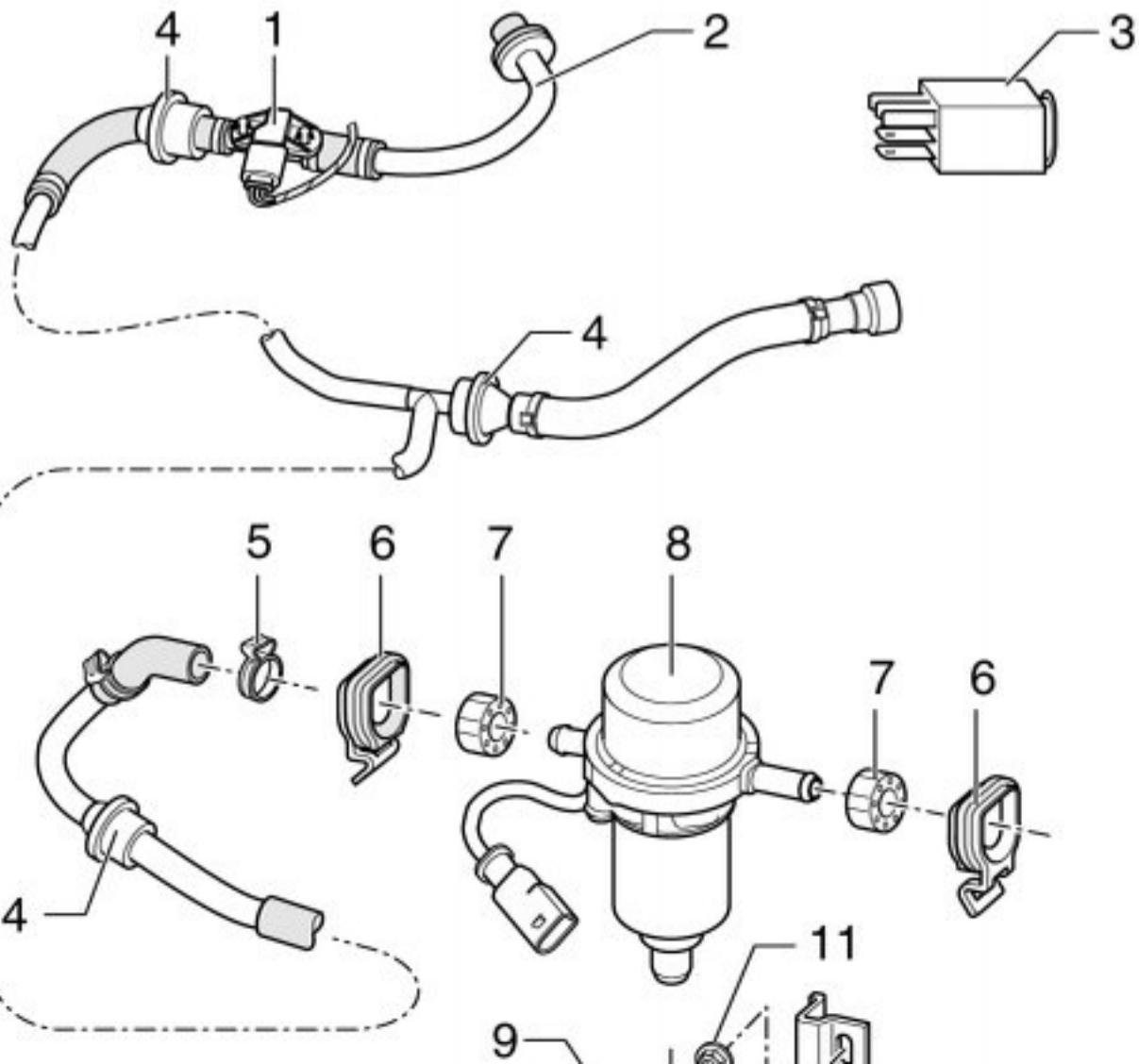
⌘ Right/left rear wheel bearing/wheel hub unit

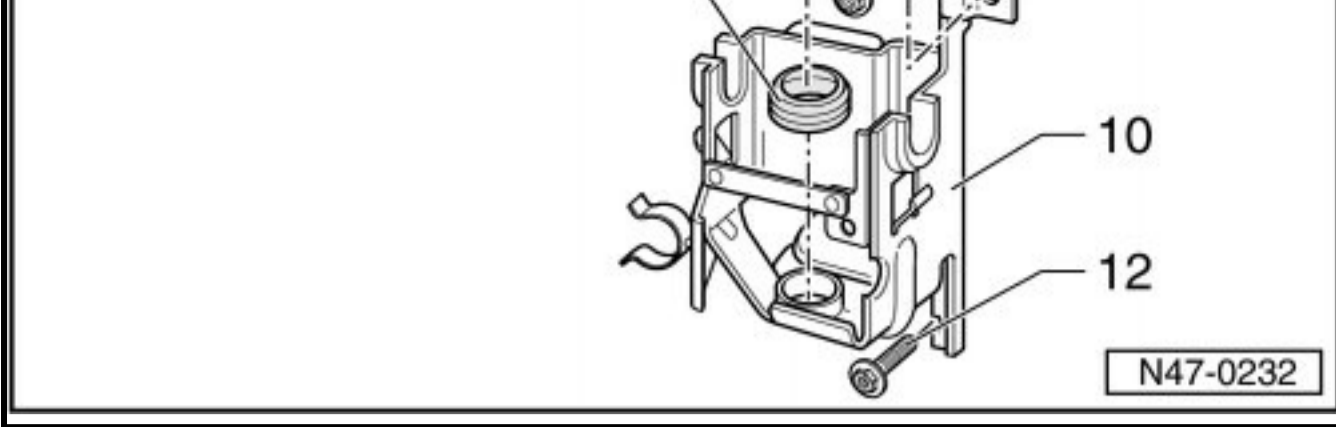
**17 - Data Link Connector (DLC)**

**18 - Parking brake pedal => [ Pedal Parking Brake Lever Assembly Overview ] See Image Below.**

**Brake System Vacuum Pump Assembly Overview**





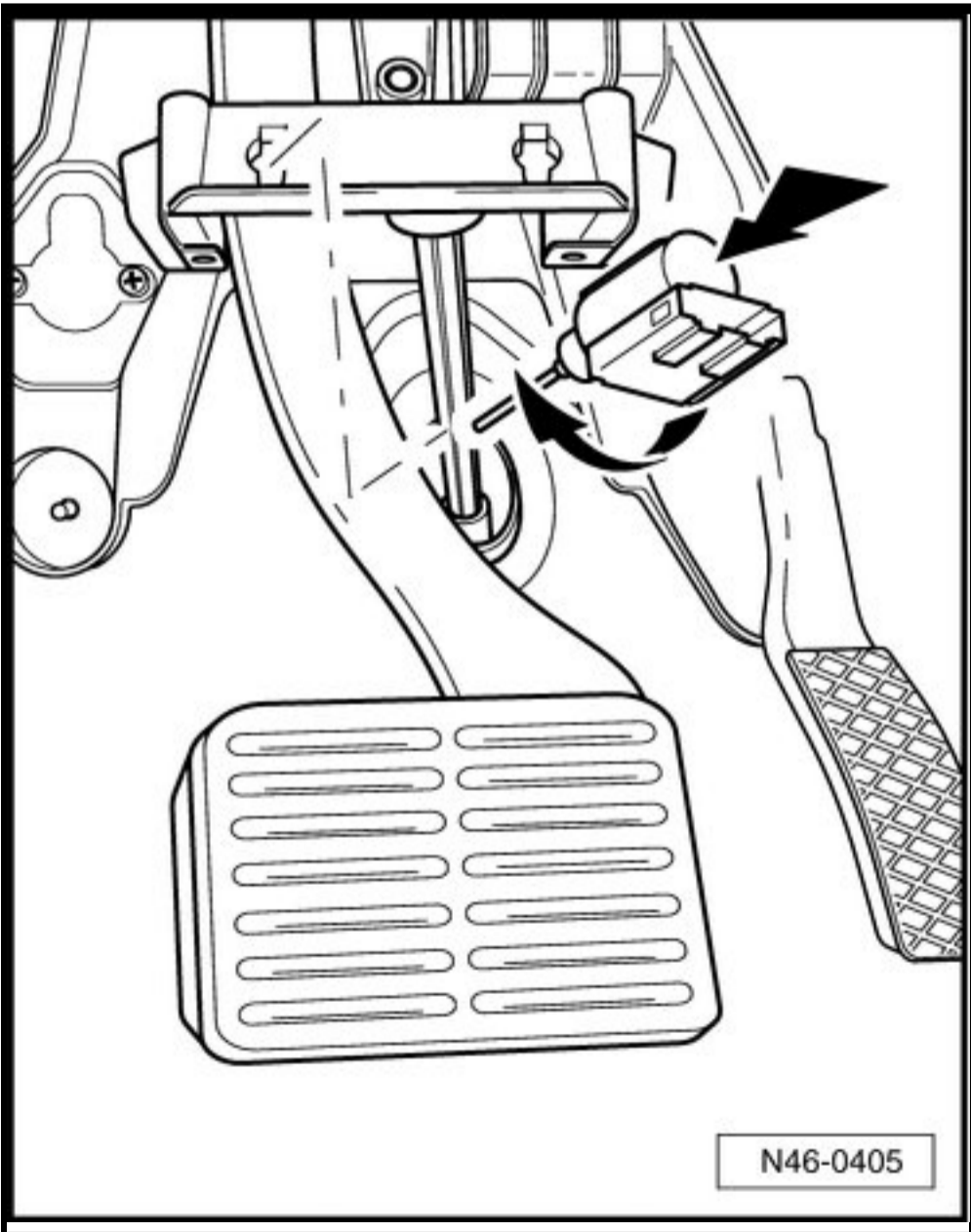


Zoom

Sized for Print

- 1 - Brake Booster Pressure Sensor -G294-
- 3 - Brake Booster Relay -J569-
- 8 - Brake System Vacuum Pump -V192-

**Brake Light Switch**

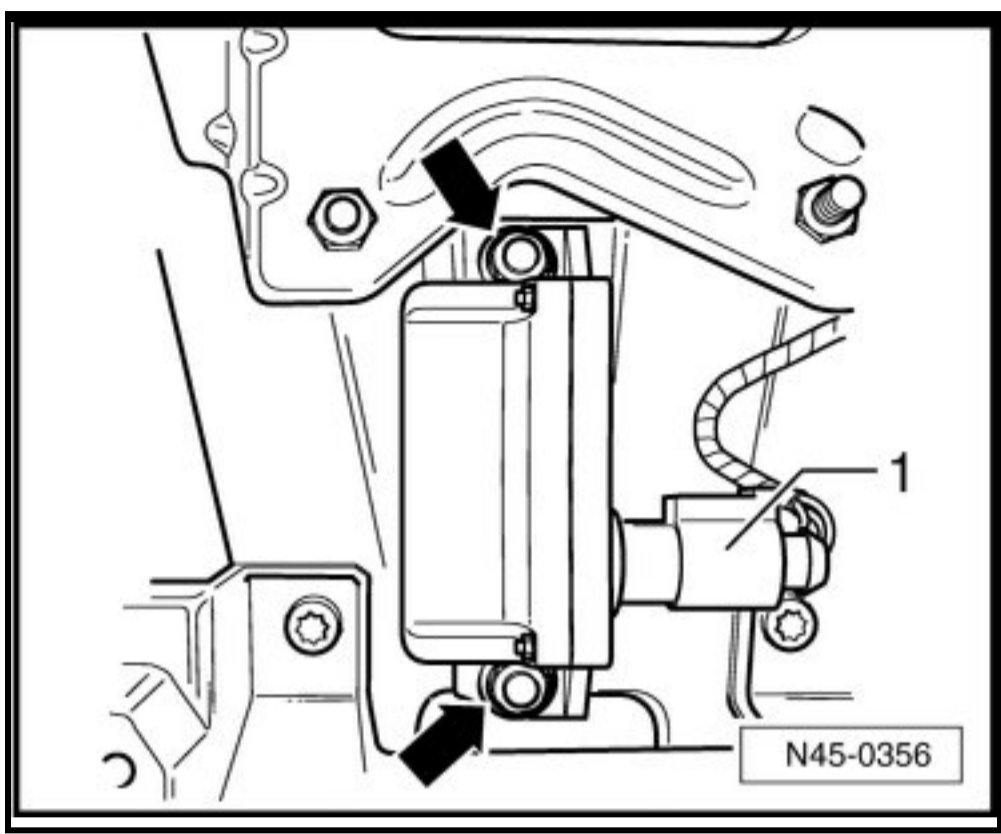


Zoom

Sized for Print

Arrow - Brake Light Switch -F- and Brake Pedal Switch -F47-

# ESP Sensor Unit



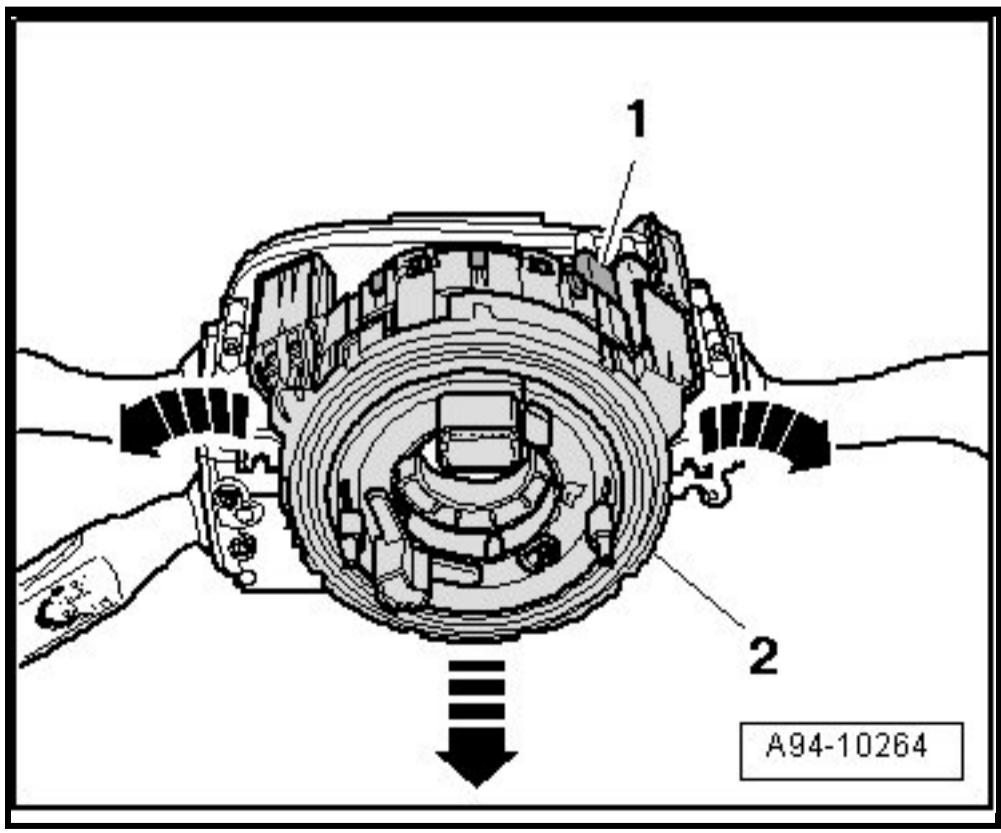
[Zoom](#)   [Sized for Print](#)

- - ESP Sensor Unit -G419-

ESP Sensor Unit -G419- is integrated with the following:

- ⌘ Transverse Acceleration Sensor -G200-
- ⌘ Rotation Rate Sensor -G202-
- ⌘ Longitudinal Acceleration Sensor -G251-

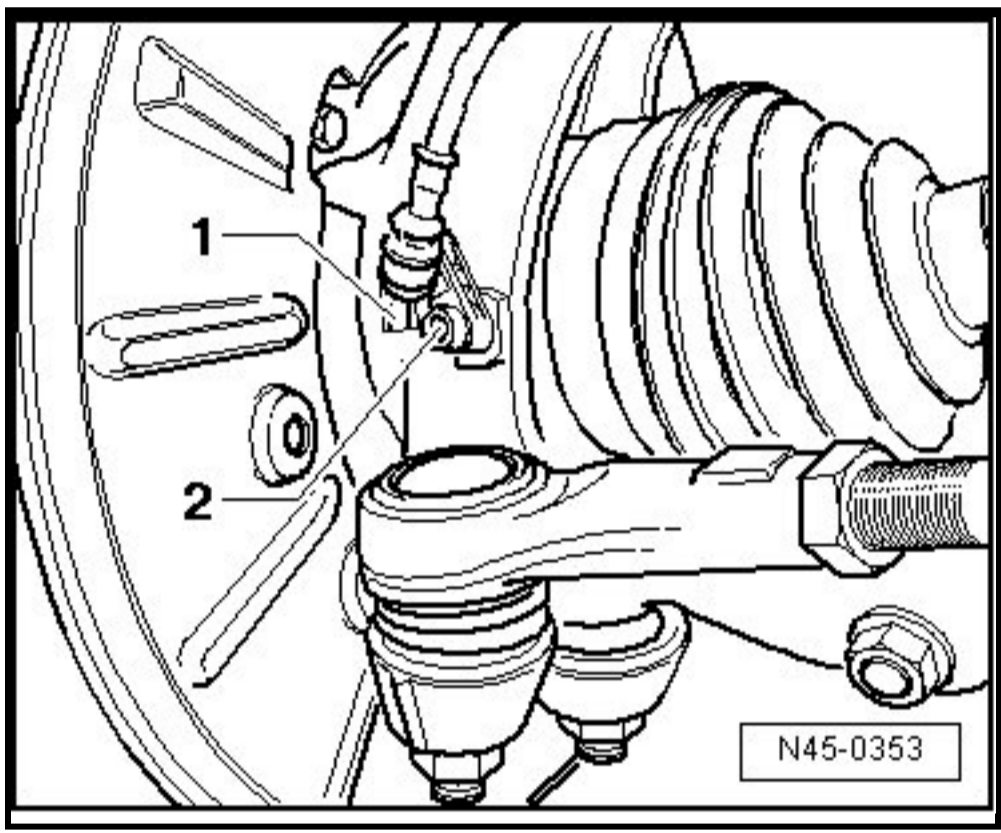
# Steering Angle Sensor



[Zoom](#)   [Sized for Print](#)

- 1 - Steering Angle Sensor -G85-
- 2 - Airbag Spiral Spring/Return Spring With Slip Ring -F138-

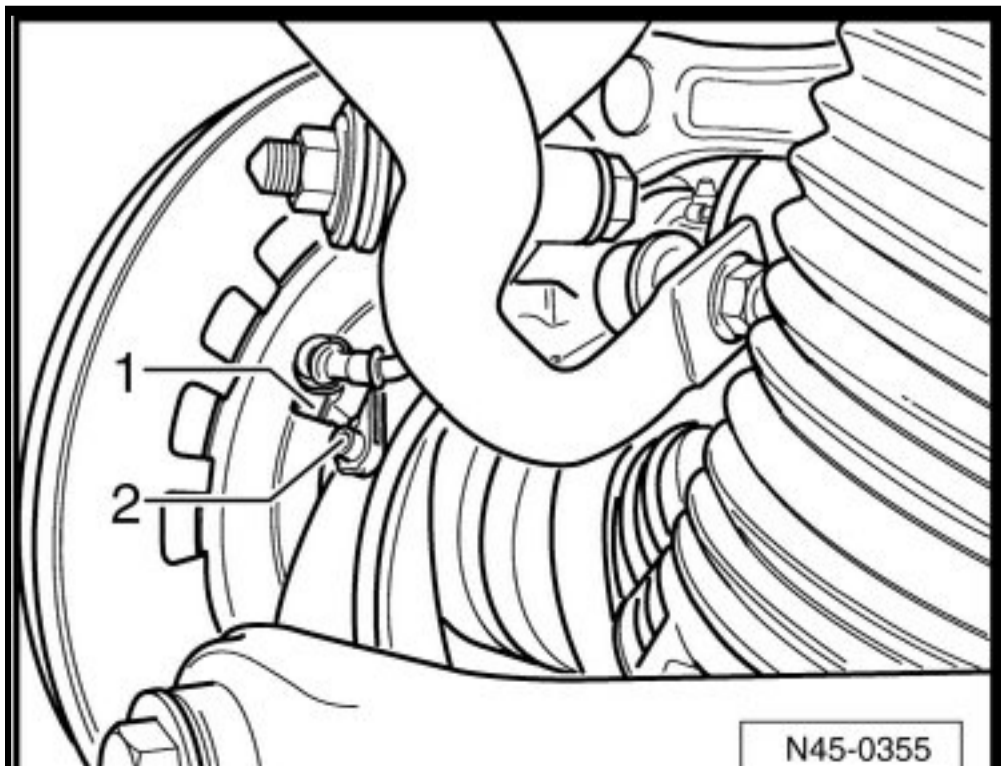
**Speed Sensor Front Axle**



[Zoom](#) [Sized for Print](#)

1 - Right Front ABS Wheel Speed Sensor -G45- or Left Front ABS Wheel Speed Sensor -G47-

**Speed Sensor Rear Axle**



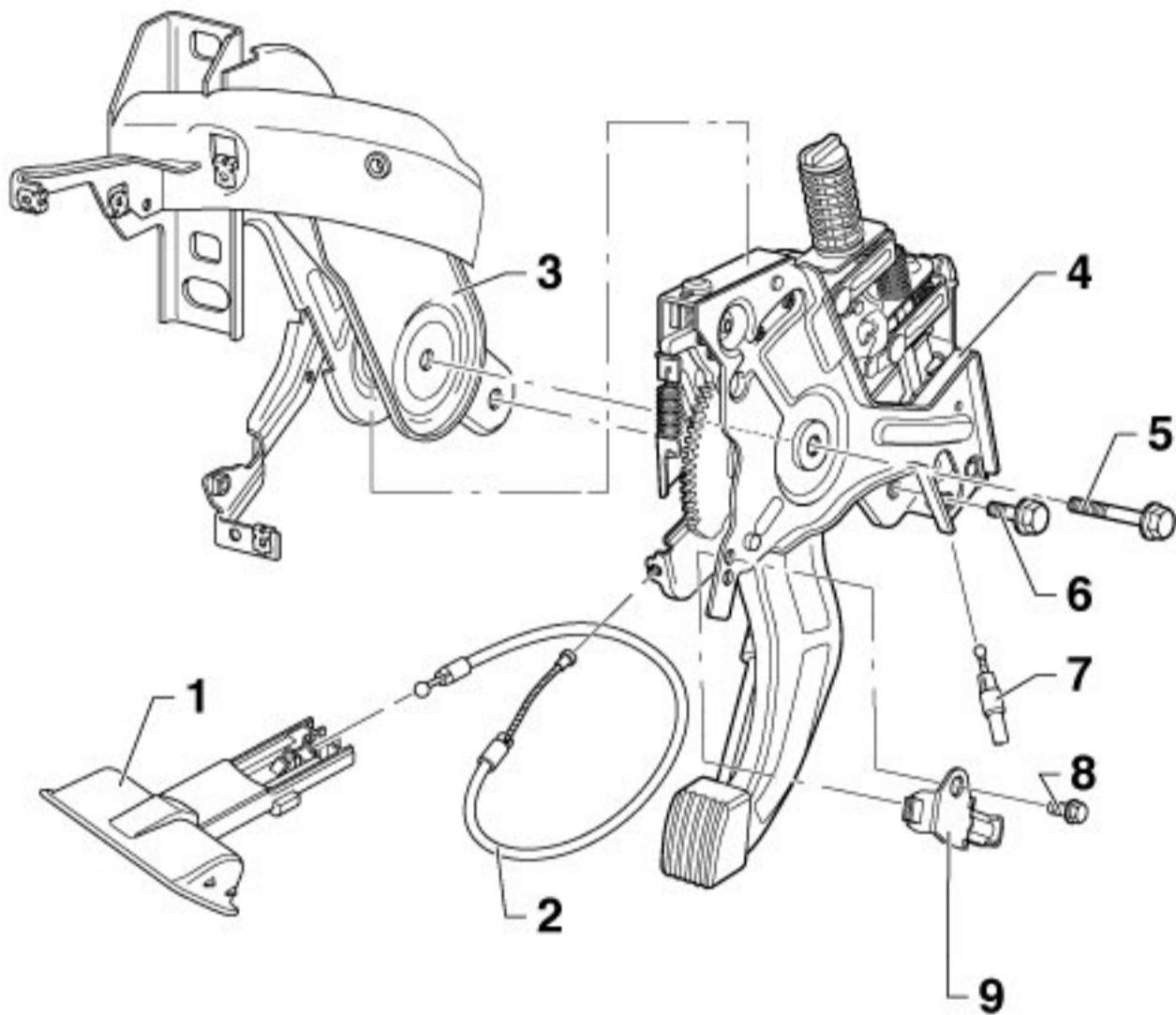


Zoom

Sized for Print

1 - Right Rear ABS Wheel Speed Sensor -G44- or Left Rear ABS Wheel Speed Sensor -G46-

## Pedal Parking Brake Lever Assembly Overview



N46-0381

Zoom

Sized for Print

1 - Release handle  
4 - Pedal Parking Brake Lever  
9 - Parking Brake Contact Switch -F321-

