

3 Center Console

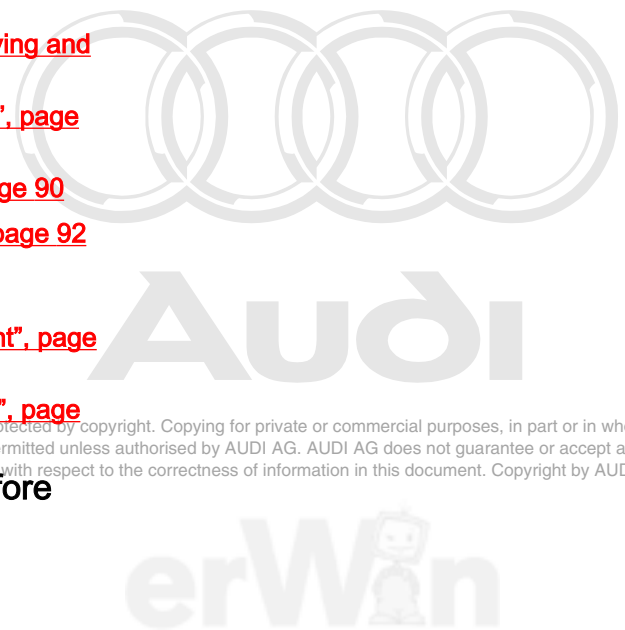
- ⇒ [-3.1 Center Console”, page 61](#)
- ⇒ [C3.2 onsole Rear Trim, Removing and Installing”, page 73](#)
- ⇒ [C3.3 onsole Cover, Removing and Installing”, page 74](#)
- ⇒ [A3.4 shtray, Removing and Installing”, page 76](#)
- ⇒ [A3.5 shtray, Removing and Installing”, page 77](#)
- ⇒ [A3.6 shtray Trim, Removing and Installing”, page 77](#)
- ⇒ [C3.7 onsole Insert, Removing and Installing”, page 78](#)
- ⇒ [C3.8 enter Console Storage Compartment, Removing and Installing”, page 79](#)
- ⇒ [F3.9 ootwell Center Console Trim Panel, Removing and Installing”, page 81](#)
- ⇒ [C3.10 onsole, Removing and Installing”, page 82](#)
- ⇒ [C3.11 onsole Decorative Trim, Removing and Installing”, page 85](#)
- ⇒ [R3.12 emoving and Installing”, page 87](#)
- ⇒ [C3.13 enter Console Storage Compartment, Removing and Installing”, page 88](#)
- ⇒ [C3.14 enter Console Vent, Removing and Installing”, page 89](#)
- ⇒ [C3.15 onsole Bracket, Removing and Installing”, page 90](#)
- ⇒ [C3.16 ontrol Head Trim, Removing and Installing”, page 92](#)

3.1 Overview - Center Console

- ⇒ [-3.1.1 Center Console, Before Product Improvement”, page 61](#)
- ⇒ [-3.1.2 Center Console, From Product Improvement”, page 69](#)

3.1.1 Overview - Center Console, Before Product Improvement

- Center Console. Refer to ⇒ [page 61](#) .
- Center Console Insert. Refer to ⇒ [page 63](#) .
- Center Console Storage Compartment. Refer to ⇒ [page 65](#) .
- Center Console Rear Trim. Refer to ⇒ [page 66](#) .
- Center Console Support/Cover. Refer to ⇒ [page 67](#) .
- Center Console



Protected by copyright. Copying for private or commercial purposes, in part or in whole, is not permitted unless authorised by AUDI AG. AUDI AG does not guarantee or accept any liability with respect to the correctness of information in this document. Copyright by AUDI AG.

1 - Center Console Support

- ❑ Removing and Installing. Refer to ⇒ [C3.10.3 onsole Support, Removing and Installing, Before Product Improvement](#), page 84 .

2 - Center Console

- ❑ Removing and Installing. Refer to ⇒ [C3.10.1 onsole, Removing and Installing, Before Product Improvement](#), page 82 .

3 - Bolt

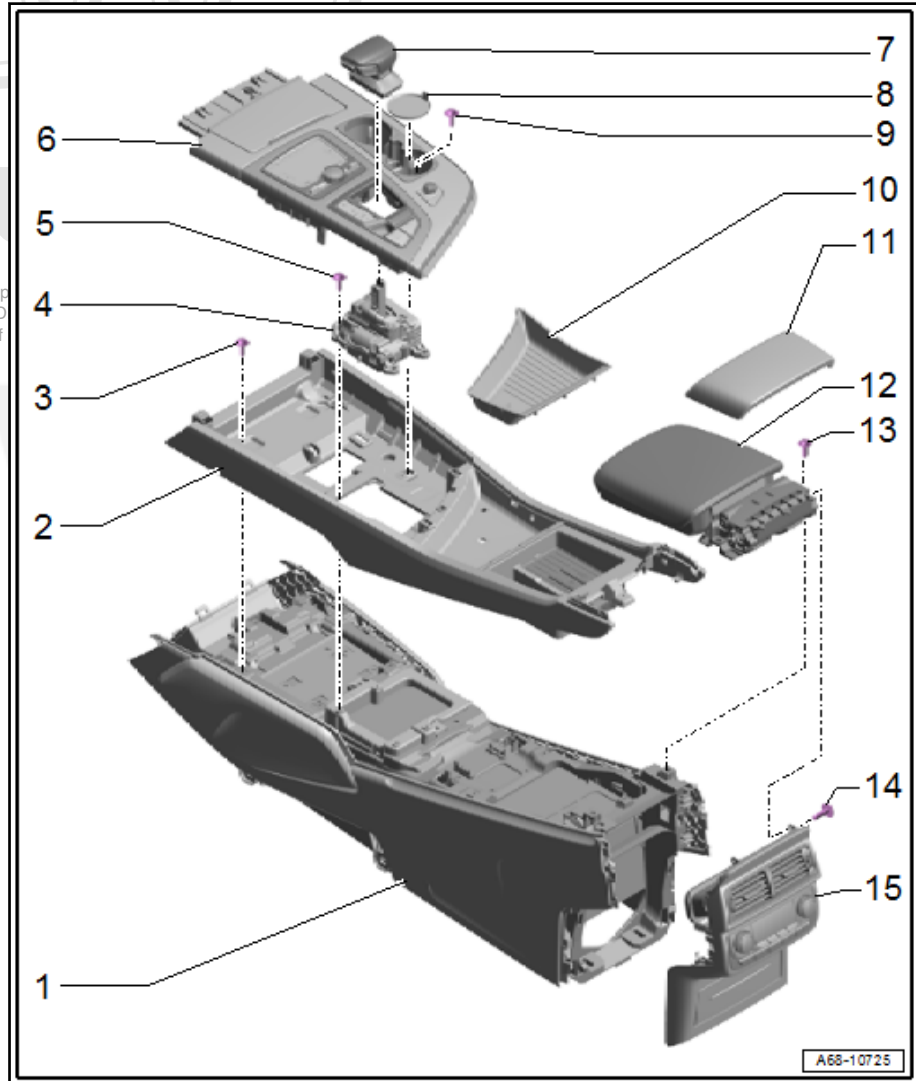
- ❑ Quantity: 7
- ❑ 2 Nm

4 - Gearshift Mechanism

- ❑ Removing and Installing. Refer to ⇒ 8-Speed Automatic Transmission; Rep. Gr. 37; Selector Mechanism; Selector Mechanism, Removing and Installing

5 - Bolt

- ❑ Quantity: 4
- ❑ Tightening specification. Refer to ⇒ 8-Speed Automatic Transmission; Rep. Gr. 37; Selector Mechanism; Overview - Selector Mechanism.



6 - Center Console Insert

- ❑ Replace damaged or deformed clips
- ❑ Press on until it engages audibly
- ❑ Removing and Installing. Refer to ⇒ [C3.7 onsole Insert, Removing and Installing](#), page 78 .

7 - Selector Lever Handle

- ❑ Overview. Refer to ⇒ 8-Speed Automatic Transmission; Rep. Gr. 37; Selector Mechanism; Overview - Selector Mechanism.

8 - Liner Mat

9 - Bolt

- ❑ 2 Nm

10 - Storage Compartment

- ❑ Removing and Installing. Refer to ⇒ [S3.8.1 torage Compartment, Removing and Installing, Before Product Improvement](#), page 79 .

11 - Center Console Cover

- ❑ Replace damaged or deformed clips
- ❑ Press on until it engages audibly
- ❑ Removing and Installing. Refer to ⇒ [C3.2 onsole Rear Trim, Removing and Installing](#), page 73 .

12 - Front Center Armrest

- ❑ Overview. Refer to ⇒ [-4.1 Front Center Armrest](#), page 95 .

13 - Bolt

- Quantity: 2
- 20 Nm

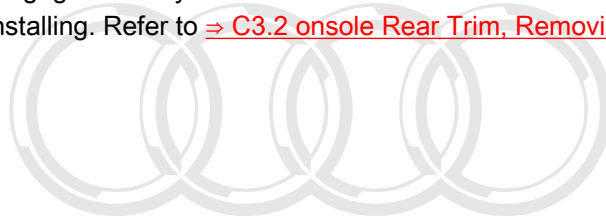
14 - Bolt

- Quantity: 2
- 3 Nm

15 - Rear Trim

- For the center console
- Replace damaged or deformed clips
- Press on until it engages audibly
- Removing and Installing. Refer to ⇒ [C3.2 onsole Rear Trim, Removing and Installing", page 73](#) .

Center Console Insert



Audi

Protected by copyright. Copying for private or commercial purposes, in part or in whole, is not permitted unless authorised by AUDI AG. AUDI AG does not guarantee or accept any liability with respect to the correctness of information in this document. Copyright by AUDI AG.

erWin 

1 - Cigarette Lighter/Socket

- There are different versions.
- Versions with Cigarette Lighter -U1- or 12 V Socket -U5-
- Removing and installing. Refer to ⇒ Electrical Equipment; Rep. Gr. 96; Cigarette Lighter and Socket; Cigarette Lighter -U1-, Removing and Installing

2 - Bolt

- Quantity: 4
- 1.2 Nm

3 - Front Ashtray/Storage Compartment

- Removing and Installing. Refer to ⇒ [A3.5 shtray, Removing and Installing](#), page 77 .

4 - Bolt

- Quantity: 4
- Tightening specification. Refer to ⇒ Communication; Rep. Gr. 91; Infotainment System; Component Location Overview - Infotainment System.

5 - Bolt

- Quantity: 4
- Tightening specification. Refer to ⇒ Electrical Equipment; Rep. Gr. 96; Lamps; Component Location Overview - Lamps in Center Console.

6 - Bolt

- Quantity: 12
- 1.1 Nm

7 - Ashtray Trim/Storage Compartment

- Engage on the cover and press on it until it audibly engages
- Removing and Installing. Refer to ⇒ [A3.6 shtray Trim, Removing and Installing](#), page 77 .

8 - Multimedia System Control Head -E380-

- Component Location Overview. Refer to ⇒ Communication; Rep. Gr. 91; Infotainment-System; Component Location Overview- Infotainment-System.

9 - Center Console Insert Trim

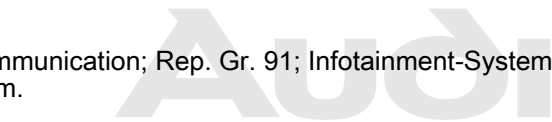
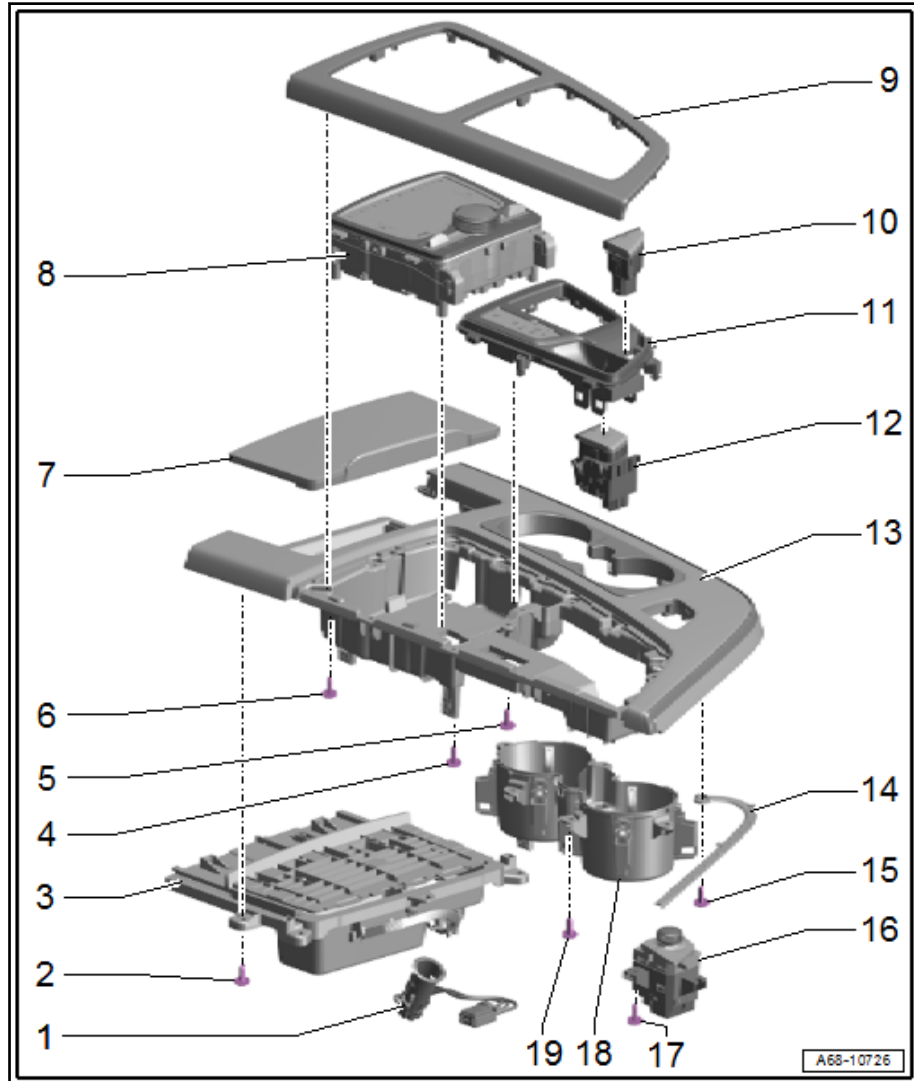
- Removing and Installing. Refer to ⇒ [C3.16.1 onsole Insert Trim, Removing and Installing, Before Product Improvement](#), page 92 .

10 - -Auto Hold- Button -E540-

- Removing and installing. Refer to ⇒ Electrical Equipment; Rep. Gr. 96; Controls; Electromechanical Parking Brake Button -E538-/-Auto Hold- Button -E540-, Removing and Installing.

11 - Selector Lever Transmission Range Display -Y5-

- Removing and installing. Refer to ⇒ Electrical Equipment; Rep. Gr. 96; Lamps; Component Location Overview - Center Console Lamps.



Protected by copyright. Copying for private or commercial purposes, in part or in whole, is not permitted unless authorised by AUDI AG. AUDI AG does not guarantee or accept any liability with respect to the correctness of information in this document. Copyright by AUDI AG.

12 - Electromechanical Parking Brake Button -E538-

- Removing and installing. Refer to ⇒ Electrical Equipment; Rep. Gr. 96; Controls; Electromechanical Parking Brake Button -E538-/-Auto Hold- Button -E540-, Removing and Installing.

13 - Center Console Insert

- Replace damaged or deformed clips
- Press on until it engages audibly
- Removing and Installing. Refer to ⇒ [C3.7 onsole Insert, Removing and Installing](#), page 78 .

14 - Trim/Ambient Lighting Fiber Optic Cable

- Removing and installing. Refer to ⇒ Electrical Equipment; Rep. Gr. 96; Lamps; Component Location Overview - Center Console Lamps.

15 - Bolt

- 1.2 Nm

16 - Driver Volume Control -E67-

- Component Location Overview. Refer to ⇒ Communication; Rep. Gr. 91; Infotainment-System; Component Location Overview- Infotainment-System.

17 - Bolt

- Quantity: 3
- Tightening specification. Refer to ⇒ Communication; Rep. Gr. 91; Infotainment System; Component Location Overview - Infotainment System.

18 - Cupholder

- Removing and Installing. Refer to ⇒ [R3.12.1 emoving and Installing, Before Product Improvement](#), page 87 .

19 - Bolt

- Quantity: 6
- 1.2 Nm

Center Console Storage Compartment



Audi

Protected by copyright. Copying for private or commercial purposes, in part or in whole, is not permitted unless authorised by AUDI AG. AUDI AG does not guarantee or accept any liability with respect to the correctness of information in this document. Copyright by AUDI AG.

erWin 

1 - Bolt

- Quantity: 4
- 2 Nm

2 - Bluetooth Cell Phone Coupling Antenna -R309-

3 - External Audio Source Connection -R199-

- Equipped on some models
- Removing and installing. Refer to ⇒ Communication; Rep. Gr. 91; External Multimedia Device Connection; External Audio Source Connection -R199-, Removing and Installing.

4 - Fiber Optic Cable for Ambient Lighting Lamp

- Quantity: 2
- Equipped on some models
- Removing and installing. Refer to ⇒ Electrical Equipment; Rep. Gr. 96; Lamps; Component Location Overview - Center Console Lamps.

5 - Storage Compartment

- Removing and Installing. Refer to ⇒ [S3.8.1 storage Compartment, Removing and Installing, Before Product Improvement](#), page 79 .

6 - Center Console

- Removing and Installing. Refer to ⇒ [C3.10.1 onsole, Removing and Installing, Before Product Improvement](#), page 82 .

7 - Liner Mat

8 - Multimedia Device Storage Compartment

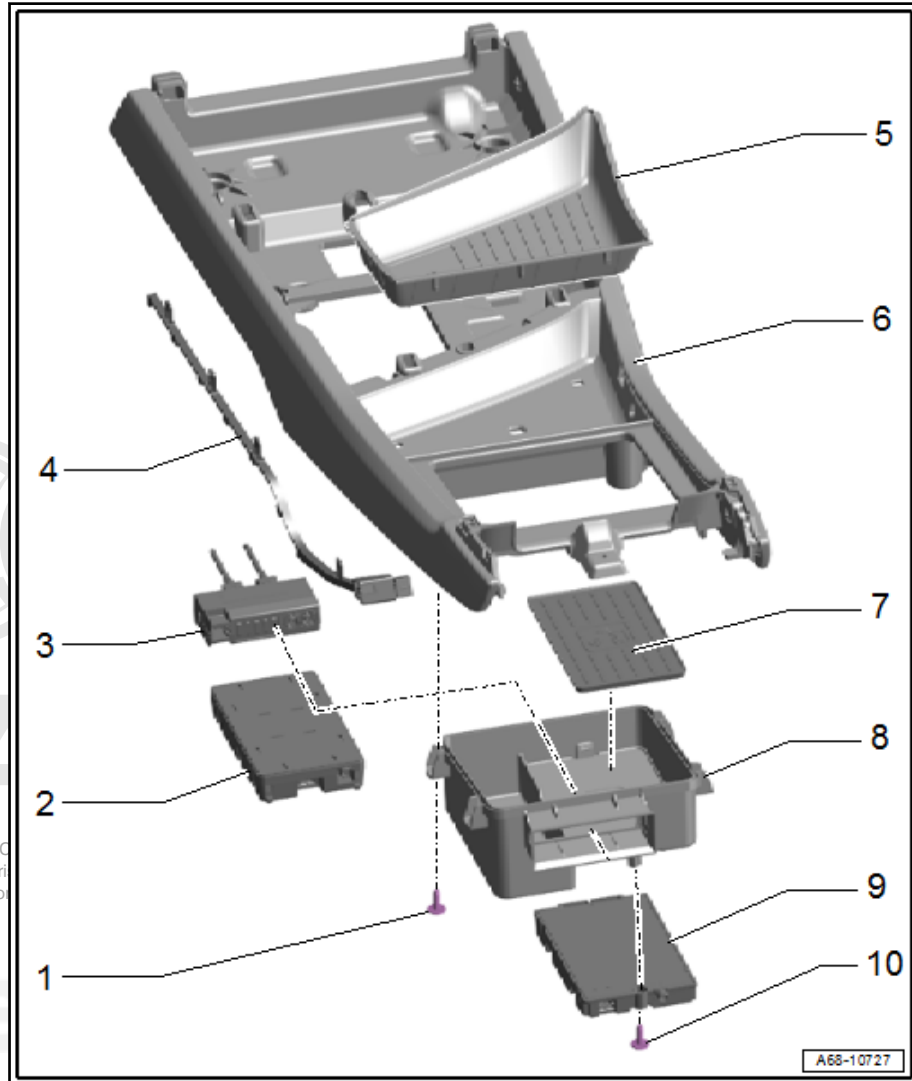
- Removing and Installing. Refer to ⇒ [C3.8.3 compartment Multimedia Device, Removing and Installing, Before Product Improvement](#), page 80 .

9 - Telephone Baseplate -R126-

- Removing and installing. Refer to ⇒ Communication; Rep. Gr. 91; Telephone System; Telephone Baseplate -R126-, Removing and Installing.

10 - Bolt

- Tightening specification. Refer to ⇒ Communication; Rep. Gr. 91; Telephone System; Component Location Overview - Telephone System.



Center Console Rear Trim

1 - Storage Compartment

- Equipped on some models
- Removing and Installing. Refer to ⇒ [C3.8.3 Storage Compartment Multimedia Device, Removing and Installing, Before Product Improvement](#), page 80 .

2 - Bolt

- Quantity: 2
- 1.5 Nm

3 - Folding Compartment Socket

- Equipped on some models
- Removing and Installing. Refer to ⇒ [C3.13 Center Console Storage Compartment, Removing and Installing](#), page 88 .

4 - Rear Trim

- For the center console
- Removing and Installing. Refer to ⇒ [C3.2 Center Console Rear Trim, Removing and Installing](#), page 73 .

5 - Rear Vent

- Replace damaged or deformed clips
- Insert and press in all the way into the installation opening
- Removing and Installing. Refer to ⇒ [C3.14 Center Console Vent, Removing and Installing](#), page 89 .

6 - Rear A/C Display Control Head -E265-

- Equipped on some models
- Removing and installing. Refer to ⇒ Heating, Ventilation and Air Conditioning; Rep. Gr. 87; Display Control Head; Display Control Head, Removing and Installing.

7 - Rear A/C Display Control Head Trim

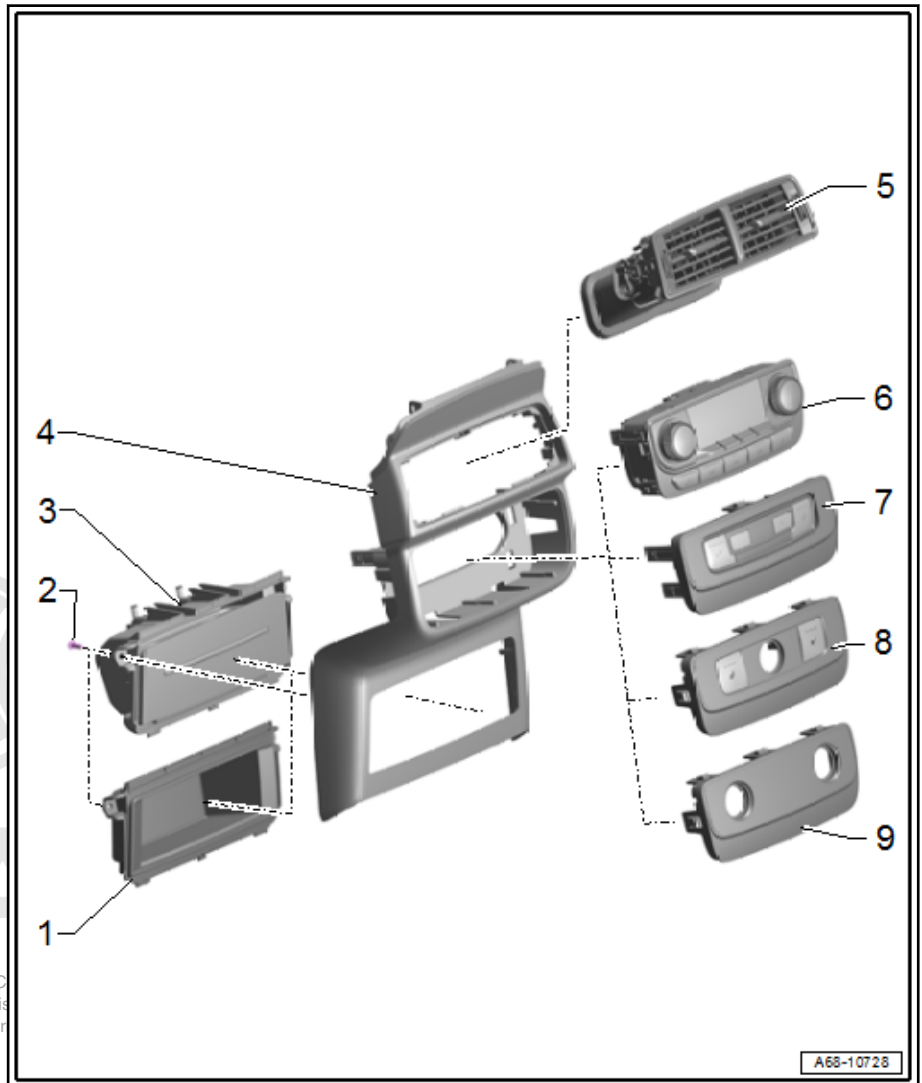
- Equipped on some models
- Removing and Installing. Refer to ⇒ [S3.16.2 System Display Control Head Trim, Removing and Installing, Before Product Improvement](#), page 93 .

8 - Rear Seat Heating Socket/Button Trim

- Equipped on some models
- Removing and Installing. Refer to ⇒ [S3.16.3 Rear Seat Heating Button/Socket Trim, Removing and Installing, Before Product Improvement](#), page 93 .

9 - Socket Trim

- Equipped on some models
- Removing and Installing. Refer to ⇒ [S3.16.3 Rear Seat Heating Button/Socket Trim, Removing and Installing, Before Product Improvement](#), page 93 .



Center Console Support/Cover

1 - Center Console Bracket

- Removing and Installing. Refer to ⇒ [C3.15.1 onsole Bracket, Removing and Installing, Before Product Improvement](#), page 90 .

2 - Center Console Trim Panel

- Hooked on the support and pressed on all the way
- Removing and Installing. Refer to ⇒ [F3.9 ootwell Center Console Trim Panel, Removing and Installing](#), page 81 .

3 - Bolt

- Quantity: 2 on the left and right side
- 8 Nm

4 - Center Console Support

- Removing and Installing. Refer to ⇒ [C3.10.3 onsole Support, Removing and Installing, Before Product Improvement](#), page 84 .

5 - Bolt

- 4 Nm

6 - Bolt

- Quantity: 4
- 4 Nm

7 - Bolt

- Quantity: 2
- 4 Nm

8 - Securing Bracket

- Removing and Installing. Refer to ⇒ [C3.15 onsole Bracket, Removing and Installing](#), page 90 .

9 - Center Console Trim Panel

- Replace any damaged or deformed clips
- Hook into the support and press until it audibly engages
- Removing and Installing. Refer to ⇒ [F3.9 ootwell Center Console Trim Panel, Removing and Installing](#), page 81 .

10 - Bolt

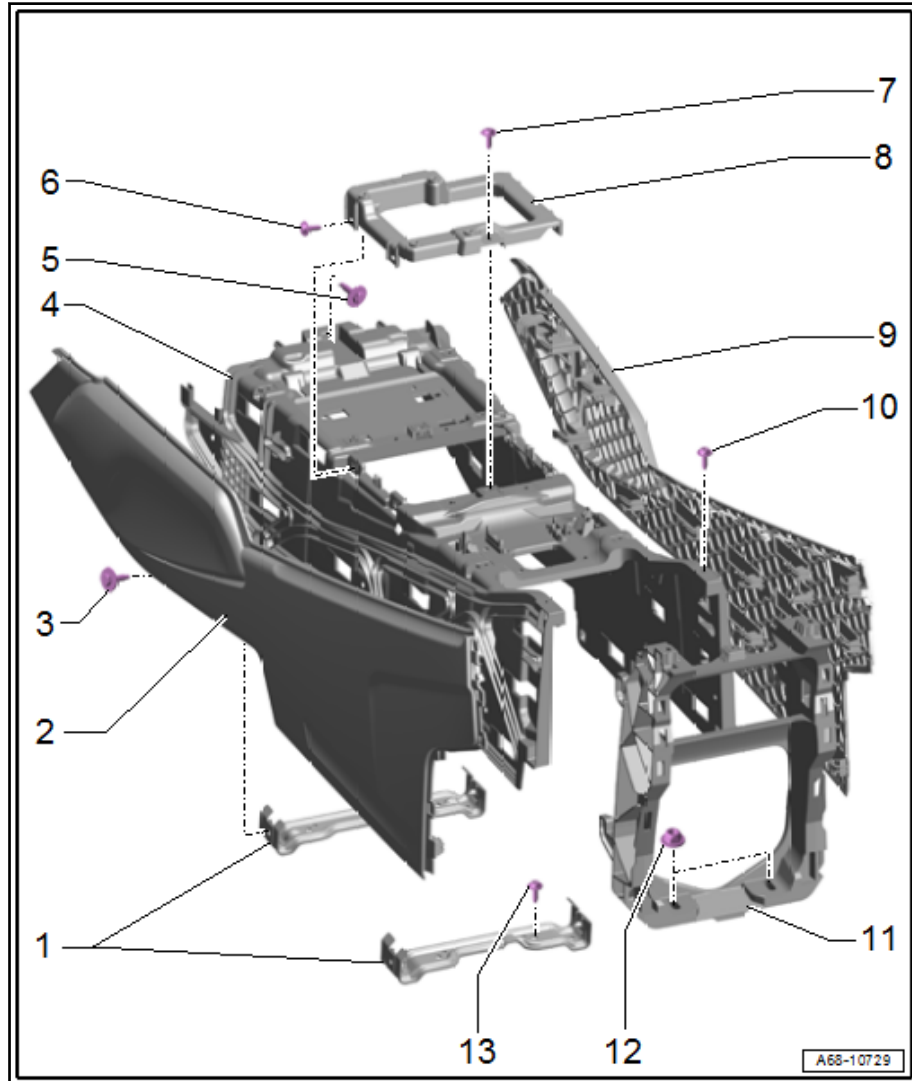
- Quantity: 2
- 4 Nm

11 - Center Armrest Support Base

- Removing and Installing. Refer to ⇒ [C3.15.1 onsole Bracket, Removing and Installing, Before Product Improvement](#), page 90 .

12 - Nut

- Quantity: 2



in whole, is not
cept any liability
y AUDI AG.

- 20 Nm

13 - Bolt or Rivets

- Quantity: 2 each on front and rear
- Bolt 5 Nm

3.1.2 Overview - Center Console, From Product Improvement

Center console upper section. Refer to [⇒ page 69](#)

Center console lower section. Refer to [⇒ page 71](#)

Center Console Upper Section



Audi

Protected by copyright. Copying for private or commercial purposes, in part or in whole, is not permitted unless authorised by AUDI AG. AUDI AG does not guarantee or accept any liability with respect to the correctness of information in this document. Copyright by AUDI AG.



1 - Center Console Lower Section

- Overview. Refer to [page 71](#).

2 - Bolt

- Quantity: 4
- 1.5 Nm

3 - Decorative Trim

- Removing and Installing. Refer to [C3.11 onsole Decorative Trim, Removing and Installing](#), page 85.

4 - Clip

5 - Center Console Upper Section

- Removing and Installing. Refer to [C3.3 onsole Cover, Removing and Installing](#), page 74.

6 - Bolt

- Different screws are installed on the center console upper section
- Quantity: 3
- M6 x 25
- 8 Nm

7 - Cupholder

- Removing and Installing. Refer to [R3.12.2 removing and Installing, From Product Improvement](#), page 87.

8 - Cupholder Trim

- Removing and Installing. Refer to [T3.12.3 rim, Removing and Installing, From Product Improvement](#), page 88.

9 - Decorative Trim

- Removing and Installing. Refer to [C3.11 onsole Decorative Trim, Removing and Installing](#), page 85.

10 - Bolt

- Quantity: 3
- 3 Nm

11 - Decorative Trim

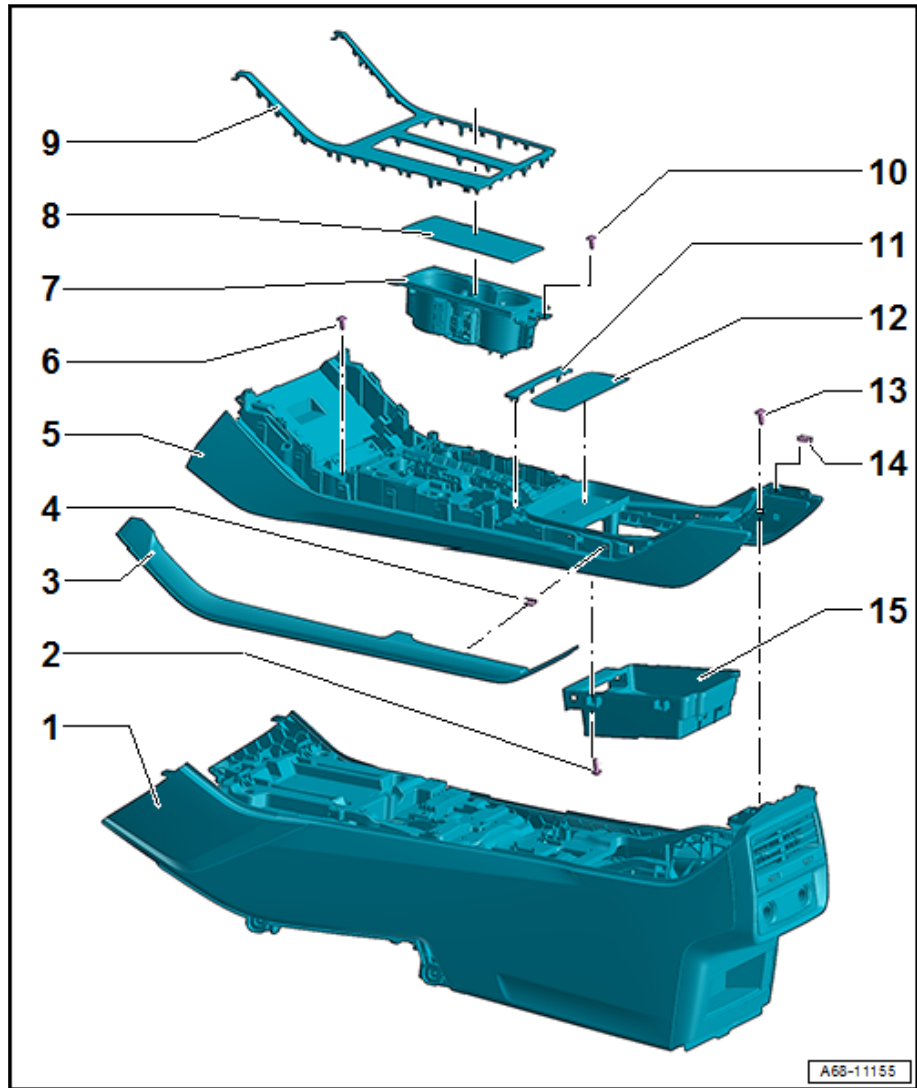
- Removing and Installing. Refer to [C3.11 onsole Decorative Trim, Removing and Installing](#), page 85.

12 - Storage Compartment Insert

- Remove upward

13 - Bolt

- Different screws are installed on the center console upper section
- Quantity: 5
- 4.2 x 16 bolt
- 2 Nm



14 - Clip

15 - Front Center Console Storage Compartment

- ❑ Removing and Installing. Refer to ⇒ [C3.8.2 enter Console Storage Compartment, Removing and Installing, Before Product Improvement](#), page 80 .

Center Console Lower Section



Protected by copyright. Copying for private or commercial purposes, in part or in whole, is not permitted unless authorised by AUDI AG. AUDI AG does not guarantee or accept any liability with respect to the correctness of information in this document. Copyright by AUDI AG.





1 - Footwell Center Console Trim Panel

- Removing and Installing. Refer to ⇒ [F3.9 Footwell Center Console Trim Panel, Removing and Installing](#), page 81 .

2 - Bolt

- Quantity: 2 each
- 5 Nm

3 - Center Console Bracket

- Quantity: 2
- Removing and Installing. Refer to ⇒ [C3.15.2 Center Console Bracket, Removing and Installing, From Product Improvement](#), page 91 .

4 - Bolt

- Two each on the right and left side
- 8 Nm

5 - Center Console Base Carrier

- Removing and Installing. Refer to ⇒ [C3.10.2 Center Console, Removing and Installing, From Product Improvement](#), page 83 .

6 - Bolt

- Different bolts are installed on the securing bracket
- Quantity: 4
- 4.2 x 13 bolt
- 2 Nm

7 - Securing Bracket

- Different bolts are installed on the securing bracket
- To remove, unscrew bolts -item 6- ⇒ [Item 6 \(page 72\)](#) and -item 8- ⇒ [Item 8 \(page 72\)](#)

8 - Bolt

- Different bolts are installed on the securing bracket
- Bolt quantity 6
- M5 x 16
- 4 Nm

9 - Bolt

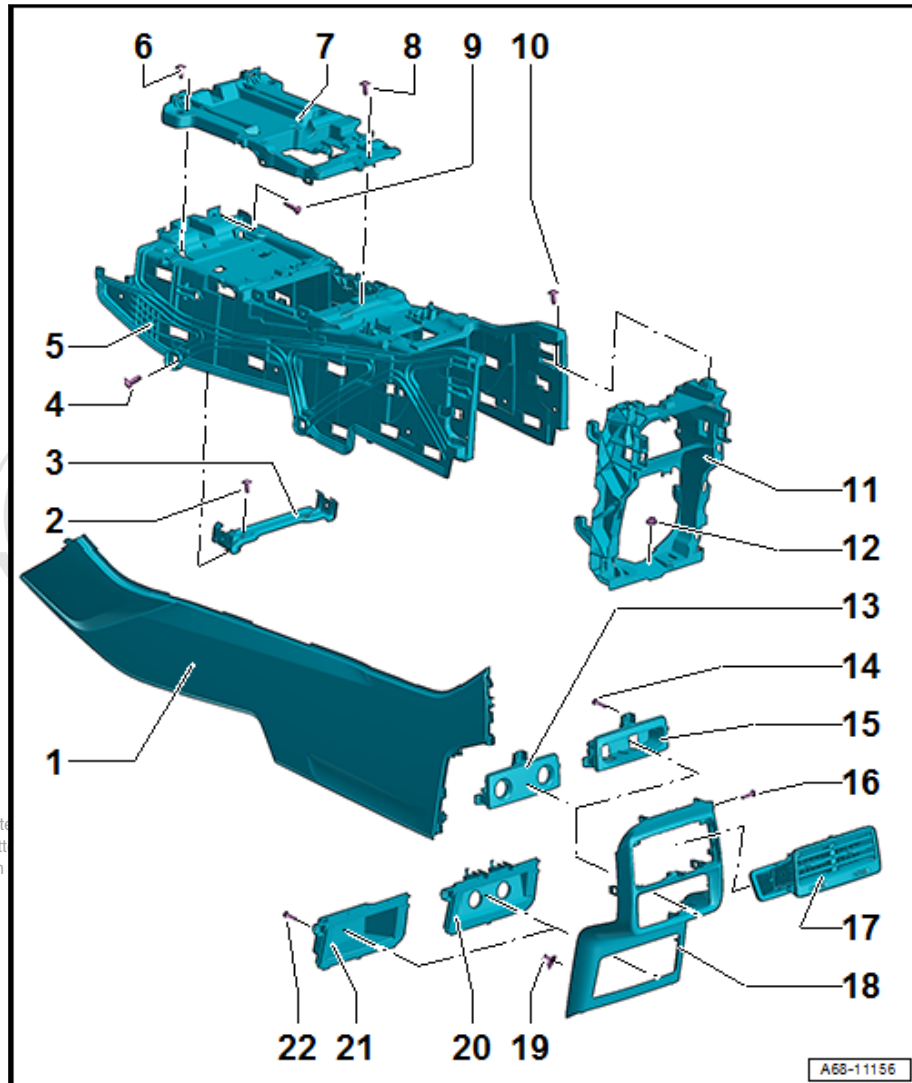
- 4 Nm

10 - Bolt

- Quantity: 2
- 2.5 Nm

11 - Support

- To remove, remove the bolts -item 10- ⇒ [Item 10 \(page 72\)](#) when the center console base carrier is removed



12 - Nut

- Quantity: 2
- 20 Nm

13 - Trim for Sockets

- Equipped on some models
- Removing and Installing. Refer to ⇒ [C3.16.4 Control Head Trim, Removing and Installing, From Product Improvement", page 94](#) .

14 - Bolt

- Quantity: 3
- 1.5 Nm

15 - Rear A/C Display Control Head -E265- Trim

- Equipped on some models
- Removing and Installing. Refer to ⇒ [C3.16.4 Control Head Trim, Removing and Installing, From Product Improvement", page 94](#) .

16 - Bolt

- Quantity: 2
- 2 Nm

17 - Vent

- Removing and Installing. Refer to ⇒ [C3.14 Center Console Vent, Removing and Installing", page 89](#) .

18 - Rear Trim

- Removing and Installing. Refer to ⇒ [C3.2 Center Console Rear Trim, Removing and Installing", page 73](#) .

19 - Clip

20 - Trim for Sockets

- Equipped on some models
- Removing and Installing. Refer to ⇒ [C3.13 Center Console Storage Compartment, Removing and Installing", page 88](#) .

21 - Rear Storage Compartment

- Equipped on some models
- Removing and Installing. Refer to ⇒ [C3.13 Center Console Storage Compartment, Removing and Installing", page 88](#) .

22 - Bolt

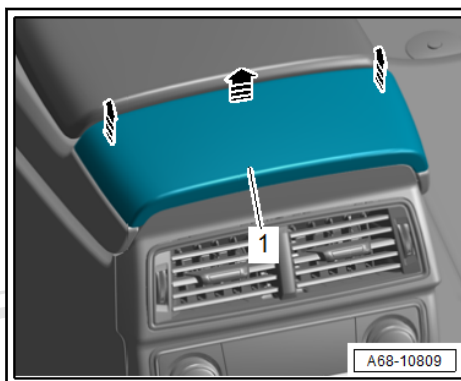
- Quantity: 2
- 1.5 Nm

3.2 Center Console Rear Trim, Removing and Installing

Special tools and workshop equipment required

- ◆ Wedge Set -T10383-

Removing



- Move the front seats all the way forward.
- Unclip the cover -1- with the front -T10383/1- -arrows- and disengage rearward.
- Remove the bolts -1-.



- Using the -T10383/1-, unclip the trim -2- at the sides starting at the top from the center console -arrows-.
- Remove the trim from the center console toward the rear.
- Disconnect the connectors.

Installing

Install in reverse order of removal.

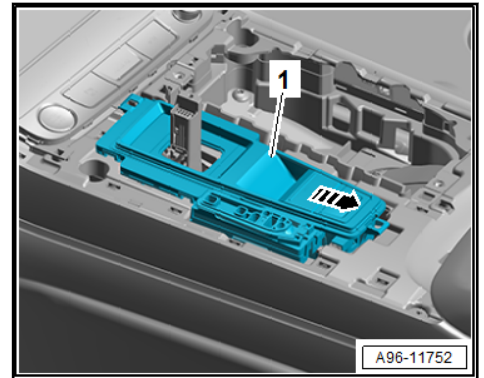
Installation instructions: for example tightening specifications, replacing components. Refer to ⇒ [-3.1 Center Console-, page 61](#).

3.3 Center Console Cover, Removing and Installing

Special tools and workshop equipment required

- ◆ Scraper no. 7 from the Scraper Set -VAS6845-

Removing

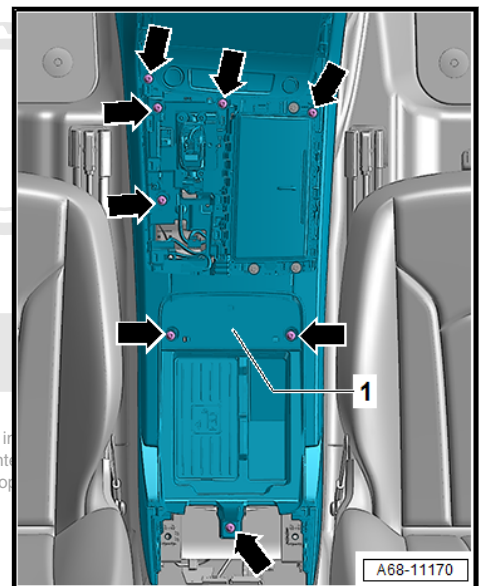


- Remove the center console rear trim. Refer to ⇒ [C3.2 onsole Rear Trim, Removing and Installing](#), page 73 .
- Remove the front center armrest. Refer to ⇒ [C4.2 enter Armrest, Removing and Installing](#), page 96 .
- Remove the center console upper decorative trim. Refer to ⇒ [page 85](#) .
- Push the Selector Lever Transmission Range Display -Y5- -1- toward the rear direction of the -arrow-.
- Remove the selector lever transmission range display -1- upward while releasing and disconnecting the connector.
- Remove the storage compartment insert ⇒ [Item 12 \(page 70\)](#) .

NOTICE

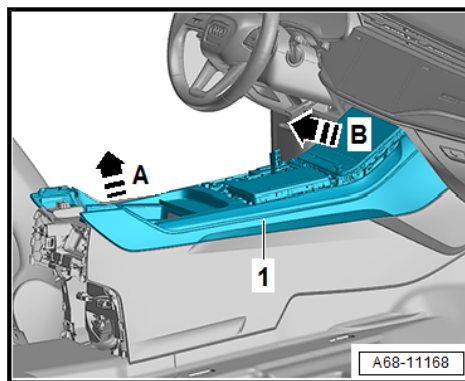
Different bolts are installed.

- Mark the component location or take pictures.
- Remove the bolts -arrows-.



- Loosen the center console cover -1- from the rear catches direction of -arrow A-.

Protected by copyright. Copying for private or commercial purposes, in whole or in part, is not permitted unless authorised by AUDI AG. AUDI AG does not guarantee the accuracy of the information with respect to the correctness of information in this document. Copyright © 2019 Audi AG



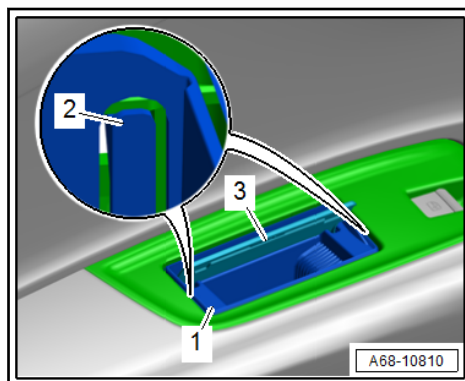
- Loosen the center console cover -1- from the front catches direction of -arrow B-.
- Lift the center console cover slightly and release and disconnect the connectors.

Installing
Protected by copyright. Copying for private or commercial purposes, in part or in whole, is not permitted unless authorised by AUDI AG. AUDI AG does not guarantee or accept any liability with respect to the correctness of information in this document. Copyright by AUDI AG.
Install in reverse order of removal.

Installation instructions: for example tightening specifications, replacing components. Refer to ⇒ [-3.1 Center Console](#), page 61 .

3.4 Rear Ashtray, Removing and Installing

Removing



- Open the ashtray cover and remove the ashtray insert -1-.
- Release the catches -2- with a screwdriver and remove the ashtray -3-.

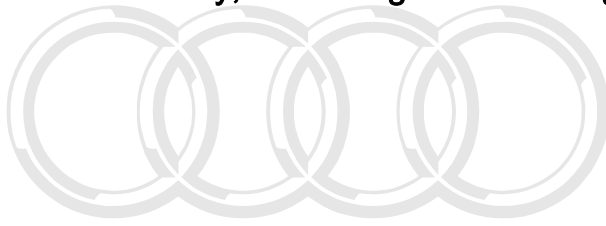
Installing

Install in reverse order of removal.

Installation instructions: for example tightening specifications, replacing components. Refer to ⇒ [-2.1 Rear Door Trim Panel](#), page 251 .

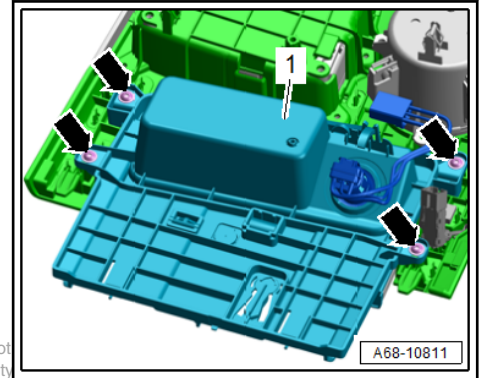
3.5 Front Ashtray, Removing and Installing

Removing



Audi

Protected by copyright. Copying for private or commercial purposes, in part or in whole, is not permitted unless authorised by AUDI AG. AUDI AG does not guarantee or accept any liability with respect to the correctness of information in this document. Copyright by AUDI AG.



- Remove the center console insert. Refer to ⇒ [C3.7 onsole Insert, Removing and Installing](#), page 78 .
- Place the center console insert on a soft surface.
- Remove the bolts -arrows-.
- Remove the ashtray/storage compartment -1-.

Installing

Install in reverse order of removal.

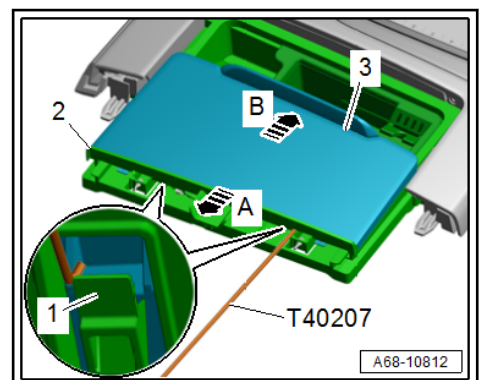
Installation instructions: for example tightening specifications, replacing components. Refer to ⇒ [-3.1 Center Console](#), page 61 .

3.6 Front Ashtray Trim, Removing and Installing

Special tools and workshop equipment required

- ◆ Hook Tool -T40207-

Removing



- Remove the center console insert. Refer to ⇒ [C3.7 onsole Insert, Removing and Installing](#), page 78 .
- Open the cover -2- and slide forward -arrow A-.
- Using the -T40207- release the catches -1- on the bottom and at the same time push the trim -3- in the direction of the -arrow B-.

- Remove the trim from the cover.

Installing

Install in reverse order of removal.

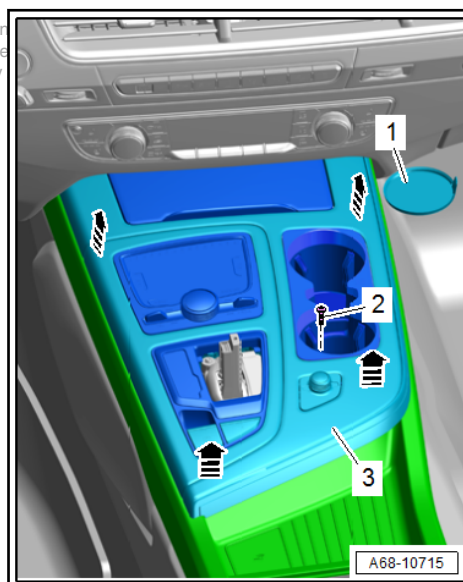
Installation instructions: for example tightening specifications, replacing components. Refer to ⇒ [-3.1 Center Console](#), page 61 .

3.7 Center Console Insert, Removing and Installing

Removing

- Switch off the ignition.
- Shift the selector level into "P" position.
- Remove the selector lever handle. Refer to ⇒ 8-Speed Automatic Transmission; Rep. Gr. 37; Selector Mechanism; Selector Lever Handle, Removing and Installing.
- Remove the liner mat -1- and remove the bolt -2- behind it.

Protected by copyright. Copying for private or commercial purposes, in part or in full, is not permitted unless authorised by AUDI AG. AUDI AG does not guarantee or accept any liability with respect to the correctness of information in this document. Copyright by Audi AG



- Starting at the back, reach with the hand under the center console insert and carefully remove it upward from the center console -arrows-.
- Carefully pull the center console insert -3- out toward the rear, disconnect the connectors and remove it.

Installing

Install in reverse order of removal.

Installation instructions: for example tightening specifications, replacing components. Refer to [⇒ -3.1 Center Console”, page 61](#) .

3.8 Front Center Console Storage Compartment, Removing and Installing

⇒ [S3.8.1 storage Compartment, Removing and Installing, Before Product Improvement”, page 79](#)

⇒ [C3.8.2 enter Console Storage Compartment, Removing and Installing, Before Product Improvement”, page 80](#)

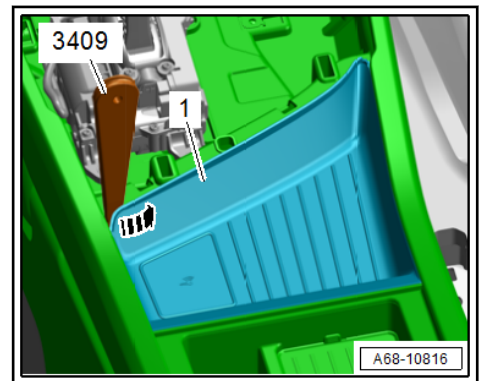
⇒ [C3.8.3 compartment Multimedia Device, Removing and Installing, Before Product Improvement”, page 80](#)

3.8.1 Front Storage Compartment, Removing and Installing, Before Product Improvement

Special tools and workshop equipment required

- ◆ Trim Removal Wedge -3409- Protected by copyright. Copying for private or commercial purposes, in part or in whole, is not permitted. Copyright © 2019 Audi AG. AUDI AG does not guarantee or accept any liability with respect to the correctness of information in this document. Copyright by AUDI AG.

Removing



- Remove the center console insert. Refer to [⇒ C3.7 onsole Insert, Removing and Installing”, page 78](#) .
- Using the -3409- starting at the left front edge, pry out out edge of the storage compartment from the center console -arrow-.
- Remove the whole left side from the center console, pull out the storage compartment -1- from the center console and remove it.

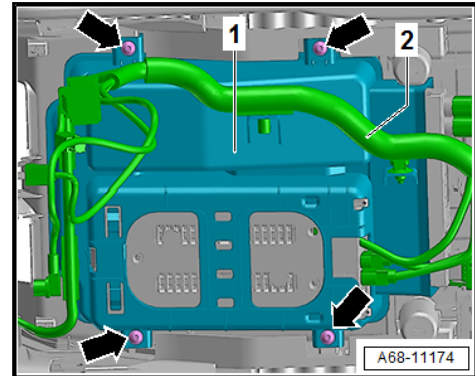
Installing

Install in reverse order of removal.

Installation instructions: for example tightening specifications, replacing components. Refer to ⇒ [-3.1 Center Console](#), page 61 .

3.8.2 Front Center Console Storage Compartment, Removing and Installing, Before Product Improvement

Removing



- Remove the center console cover. Refer to ⇒ [C3.3 onsole Cover, Removing and Installing](#), page 74 .
- Turn the center console cover and place it on a clean and soft surface.
- Release and disconnect the connectors.
- Unclip the wiring harness -2- from the brackets.
- Remove the bolts -arrows-.
- Remove the storage compartment -1-.

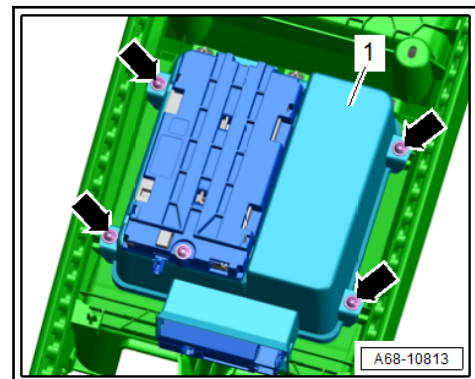
Installing

Install in reverse order of removal.

Installation instructions: for example tightening specifications, replacing components. Refer to ⇒ [-3.1 Center Console](#), page 61 .

3.8.3 Storage Compartment Multimedia Device, Removing and Installing, Before Product Improvement

Removing



- Remove the center console. Refer to ⇒ [C3.10.1 onsole, Removing and Installing, Before Product Improvement](#), page 82 .
- Place the center console on a soft surface.
- Remove the bolts -arrows-.
- Remove the storage compartment -1-.
- Remove the telephone baseplate. Refer to ⇒ Communication; Rep. Gr. 91; Telephone System; Telephone Baseplate -R126-, Removing and Installing.

Installing

Install in reverse order of removal.

Installation instructions, for example tightening specifications, replacing components. Refer to ⇒ [-3.1 Center Console](#), page 61 .

3.9 Front Footwell Center Console Trim Panel, Removing and Installing

Removing

- Move the front seat all the way to the rear and then into its lowest position.

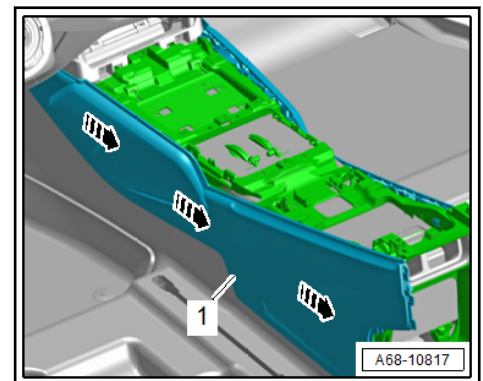
Before Product Improvement:

- Remove the center console. Refer to ⇒ [C3.10 onsole, Removing and Installing](#), page 82 .

From Product Improvement:

- Remove the center console cover. Refer to ⇒ [C3.3 onsole Cover, Removing and Installing](#), page 74 .

Further removal instructions for all vehicles:



- Pull the trim panel -1- toward the rear from the center console support -arrows-, and carefully remove between the center console support and the front seat.

Installing

Install in reverse order of removal.

Installation instructions: for example tightening specifications, replacing components. Refer to ⇒ [-3.1 Center Console”, page 61](#) .

3.10 Center Console, Removing and Installing

⇒ [C3.10.1 onsole, Removing and Installing, Before Product Improvement”, page 82](#)

⇒ [C3.10.2 onsole, Removing and Installing, From Product Improvement”, page 83](#)

⇒ [C3.10.3 onsole Support, Removing and Installing, Before Product Improvement”, page 84](#)

Protected by copyright. Copying for private or commercial purposes, in part or in whole, is not permitted without the prior written authorisation by AUDI AG. AUDI AG does not guarantee or accept any liability with respect to the correctness of information in this document. Copyright by AUDI AG.

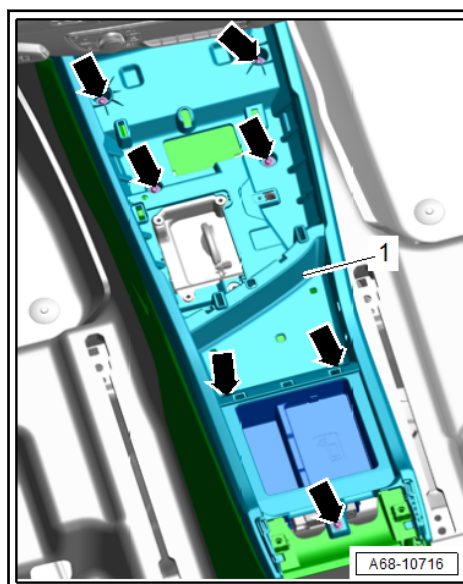
3.10.1 Center Console, Removing and Installing, Before Product Improvement

Special tools and workshop equipment required

- ◆ Trim Removal Wedge -3409-

Removing

- Remove the center console insert. Refer to ⇒ [C3.7 onsole Insert, Removing and Installing”, page 78](#) .
- Remove the selector mechanism. Refer to ⇒ 8-Speed Automatic Transmission; Rep. Gr. 37; Selector Mechanism; Selector Mechanism, Removing and Installing.
- Remove the center console rear trim. Refer to ⇒ [C3.2 onsole Rear Trim, Removing and Installing”, page 73](#) .
- Remove the center armrest. Refer to ⇒ [C4.2 enter Armrest, Removing and Installing”, page 96](#) .
- Remove the front storage compartment. Refer to ⇒ [S3.8.1 storage Compartment, Removing and Installing, Before Product Improvement”, page 79](#) .
- Remove the bolts -arrows-.



- Lift up the center console -1- slightly and disconnect the connectors.
- Free up the wire and remove the center console.

Installing

Install in reverse order of removal.

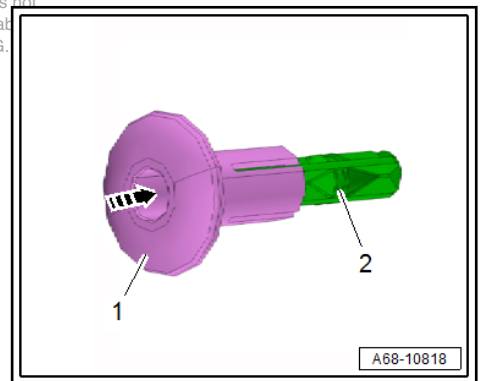
Installation instructions: for example tightening specifications, replacing components. Refer to ⇒ [-3.1 Center Console](#), page 61 .

3.10.2 Center Console, Removing and Installing, From Product Improvement

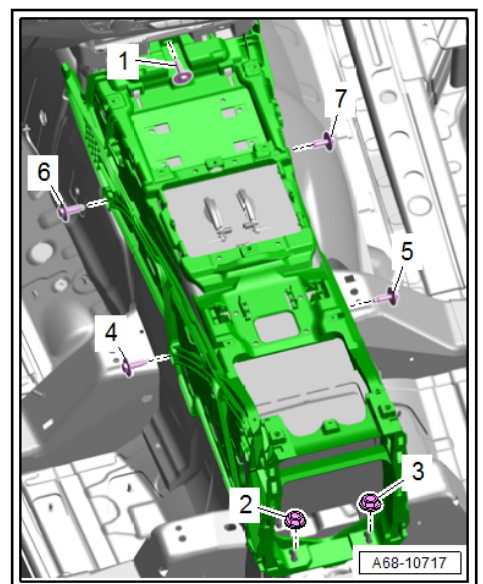
Removing

- Remove the center console cover. Refer to ⇒ [C3.3 onsole Cover, Removing and Installing](#), page 74 .
- Remove the front footwell center console trim panel. Refer to ⇒ [F3.9 ootwell Center Console Trim Panel, Removing and Installing](#), page 81 .
- Disengage the left and right carpet from the center console support.
- To remove the expanding clips -1-, push the clamping pin -2- in carefully approximately 5 mm until it engages audibly in the expanding clip -direction of the arrow- (do not push in completely, otherwise the clamping pin will be lost).

Protected by copyright. Copying for private or commercial purposes, in part or in whole, is not permitted unless authorised by AUDI AG. AUDI AG does not guarantee or accept any liability with respect to the correctness of information in this document. Copyright by AUDI AG.



- Unclip the wiring harnesses and free it up.



- Equipped on some models: remove the air duct intermediate piece for the rear center console vent. Refer to ⇒ Heating,

Ventilation and Air Conditioning; Rep. Gr. 87; Air Duct; Overview - Air Routing and Air Distribution in Vehicle Interior.

- Remove the bolts -1, 4, 5, 6, 7- and nuts -2, 3-.
- Lift up the center console support from the threaded pin and remove it toward the rear.

Installing

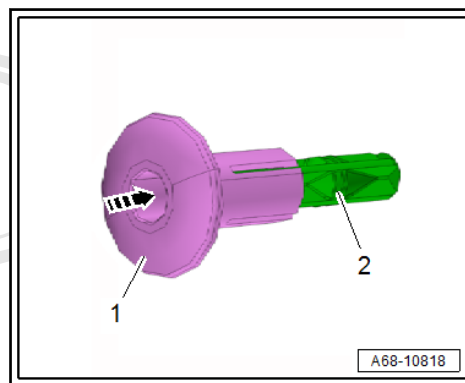
Install in reverse order of removal and note the following:

- Tighten the bolts and nuts in the following sequence:
-1 to 7-.

Installation instructions: for example tightening specifications, replacing components. Refer to ⇒ [-3.1 Center Console](#), page 61.

3.10.3 Center Console Support, Removing and Installing, Before Product Improvement

Removing



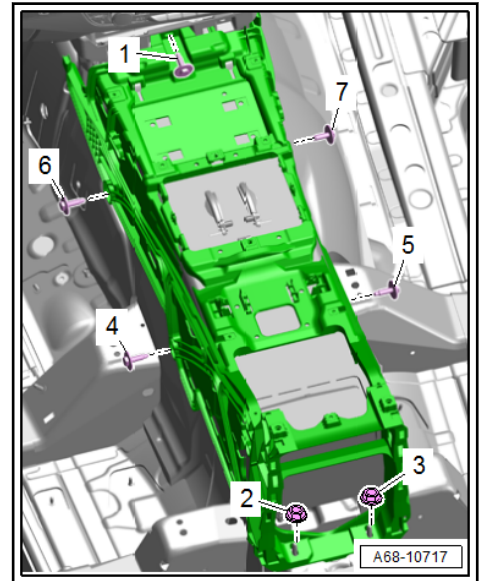
- Remove the center console. Refer to ⇒ [C3.10.1 onsole, Removing and Installing, Before Product Improvement](#), page 82.

- Remove the center console trim panel. Refer to ⇒ [F3.9 outwell Center Console Trim Panel, Removing and Installing](#), page 81.

- Disengage the left and right carpet from the center console support.

- To remove the expanding clips -1-, push the clamping pin -2- in carefully approximately 5 mm until it engages audibly in the expanding clip -arrow- (do not push in completely, otherwise the clamping pin will be lost).

- Unclip the wiring harness and free it up.



- Remove the bolts -1, 4, 5, 6, 7- and nuts -2, 3-.
- Lift up the center console support from the threaded pin and remove it toward the rear.

Installing

Install in reverse order of removal and note the following:

- Tighten the bolts and nuts in the following sequence:
-1 to 7-.

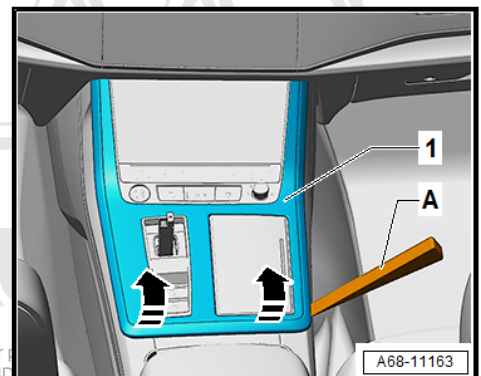
Installation instructions: for example tightening specifications, replacing components. Refer to ⇒ [-3.1 Center Console](#), page [61](#).

3.11 Center Console Decorative Trim, Removing and Installing

Special tools and workshop equipment required

- ◆ Scraper no. 7 from the Scraper Set -VAS6845-

Upper Decorative Trim, Removing

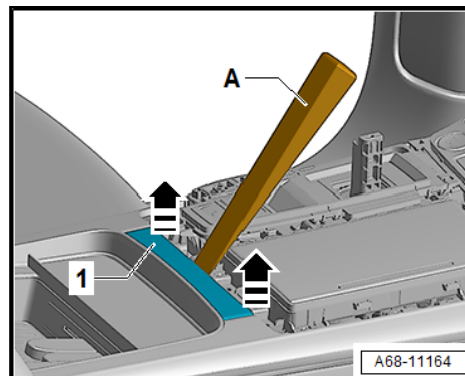


Protected by copyright. Copying for private use is permitted unless authorised by AUDI AG. All rights reserved with respect to the correctness of information in this document. Copyright by AUDI AG.

- Remove the selector lever handle. Refer to ⇒ [8-Speed Automatic Transmission 0D5; Rep. Gr. 37; Selector Mechanism; Overview - Selector Mechanism](#).
- Pry out the decorative trim -1- all around using the scraper -A- in the direction of the -arrow-
- If equipped, release and disconnect the connectors.

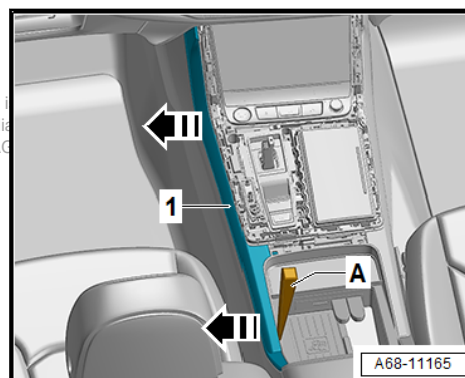
- Remove the upper decorative trim -1-.

Side Decorative Trims, Removing



- Loosen the center console cover and pull slightly toward the rear. Refer to ⇒ [C3.3 onsole Cover, Removing and Installing](#), page 74 .
- Pry out the center decorative trim -1- using the scraper -A- in the direction of the -arrow-
- Pry out the side decorative trim -1- using the scraper -A- in the direction of the -arrow-

Protected by copyright. Copying for private or commercial purposes, in part or in whole, is permitted unless authorised by AUDI AG. AUDI AG does not guarantee or accept any liability with respect to the correctness of information in this document. Copyright by AUDI AG



- If equipped, release and disconnect the connectors.

Installing

Install in reverse order of removal and note the following:

- Before installing, check all the fasteners for damage and replace if necessary.

Installation instructions: for example tightening specifications, replacing components. Refer to ⇒ [-3.1 Center Console”, page 61](#) .

3.12 Cupholder, Removing and Installing

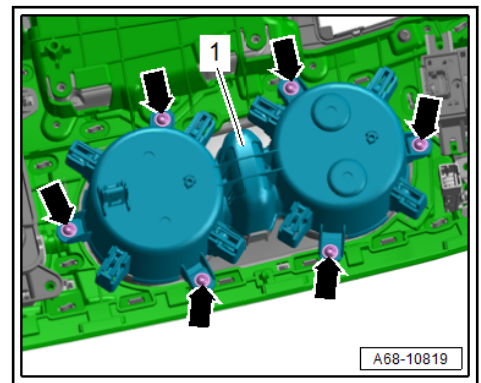
⇒ [R3.12.1 emoving and Installing, Before Product Improvement”, page 87](#)

⇒ [R3.12.2 emoving and Installing, From Product Improvement”, page 87](#)

⇒ [T3.12.3 rim, Removing and Installing, From Product Improvement”, page 88](#)

3.12.1 Cupholder, Removing and Installing, Before Product Improvement

Removing



- Remove the center console insert. Refer to ⇒ [C3.7 onsole Insert, Removing and Installing”, page 78](#) .
- Place the center console insert on a soft surface.
- Remove the bolts -arrows-.
- Remove the cupholder -1-.

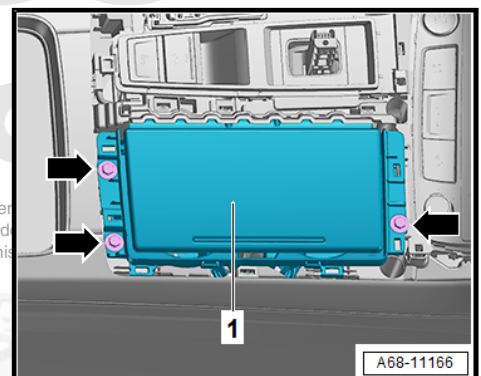
Installing

Install in reverse order of removal.

Installation instructions: for example tightening specifications, replacing components. Refer to ⇒ [-3.1 Center Console”, page 61](#) .

3.12.2 Cupholder, Removing and Installing, From Product Improvement

Removing



Protected by copyright. Copying for private or commercial use is not permitted unless authorised by AUDI AG. AUDI AG does not accept any liability with respect to the correctness of information in this document.

- Remove the center console upper decorative trim. Refer to [⇒ page 86](#) .
- Remove the bolts -arrows-.
- Remove the cupholder -1- upward while releasing and disconnecting the connector.

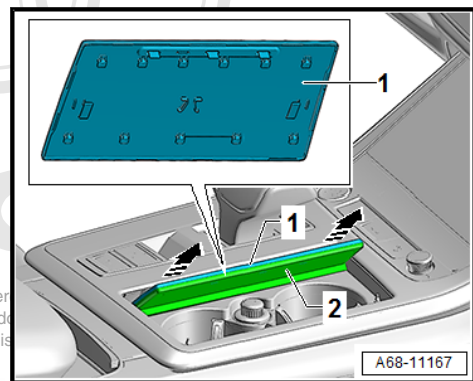
Installing

Install in reverse order of removal.

Installation instructions: for example tightening specifications, replacing components. Refer to [⇒ -3.1 Center Console”, page 61](#) .

3.12.3 Cupholder Trim, Removing and Installing, From Product Improvement

Removing



Protected by copyright. Copying for private or commercial use is not permitted unless authorised by AUDI AG. AUDI AG disclaims any liability with respect to the correctness of information in this document.

- Open the cupholder cover halfway.
- Pull the trim -1- strongly with both hands in the direction of the -arrow- off the cover -2- and remove.

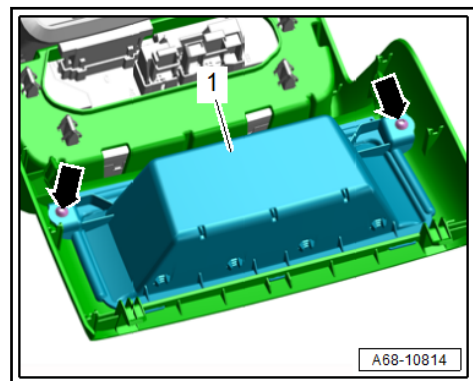
Installing

Install in reverse order of removal.

Installation instructions: for example tightening specifications, replacing components. Refer to [⇒ -3.1 Center Console”, page 61](#) .

3.13 Rear Center Console Storage Compartment, Removing and Installing

Removing



- Remove the center console rear trim. Refer to [⇒ C3.2 onsole Rear Trim, Removing and Installing”, page 73](#) .

- Place the trim on a soft surface.
- Remove the bolts -arrows-.
- Remove the storage compartment/folding compartment socket -1-.

Installing

Install in reverse order of removal.

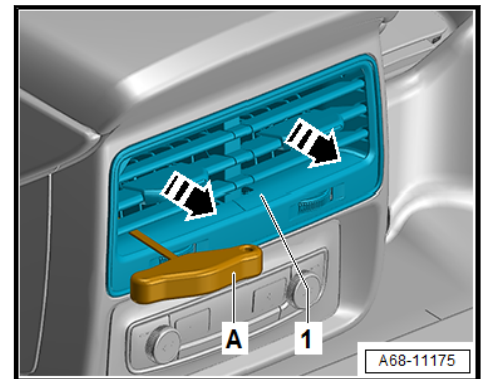
Installation instructions: for example tightening specifications, replacing components. Refer to [⇒ -3.1 Center Console](#)", page 61 .

3.14 Rear Center Console Vent, Removing and Installing

Special tools and workshop equipment required

- ◆ Hook Tool -T40207-

Removing



Protected by copyright. Copying for private or commercial purposes, in part or in whole, is not permitted unless authorised by AUDI AG. AUDI AG does not guarantee or accept any liability with respect to the correctness of information in this document. Copyright by AUDI AG.

- Open the vent -1-.
- Carefully guide the Hook Tool -A-between the slats and engage behind the vent -1-.
- Alternating between both sides, carefully remove the vent from the installation opening direction of the -arrow-.
- Release and disconnect the connector.

Installing

Install in reverse order of removal.

- Before installing, check all the fasteners for damage and replace if necessary.

Installation instructions: for example tightening specifications, replacing components. Refer to ⇒ [-3.1 Center Console”, page 61](#).

3.15 Center Console Bracket, Removing and Installing

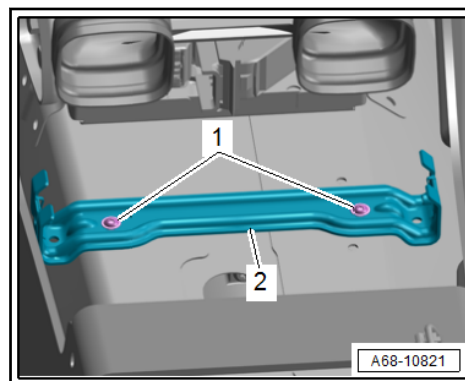
⇒ [C3.15.1 onsole Bracket, Removing and Installing, Before Product Improvement”, page 90](#)

⇒ [C3.15.2 onsole Bracket, Removing and Installing, From Product Improvement”, page 91](#)

3.15.1 Center Console Bracket, Removing and Installing, Before Product Improvement

Removing

- Remove the center console support. Refer to ⇒ [C3.10.3 onsole Support, Removing and Installing, Before Product Improvement”, page 84](#)
- Remove the rear heater and A/C unit. Refer to ⇒ [Heating, Ventilation and Air Conditioning; Rep. Gr. 87; Rear Heater and A/C Unit; Heater and A/C Unit, Removing and Installing.](#)
- Unclip and free up the wires on the bracket.



- Remove the bolts -1- or drill out the rivets -1-.
- Remove the center console bracket -2-.

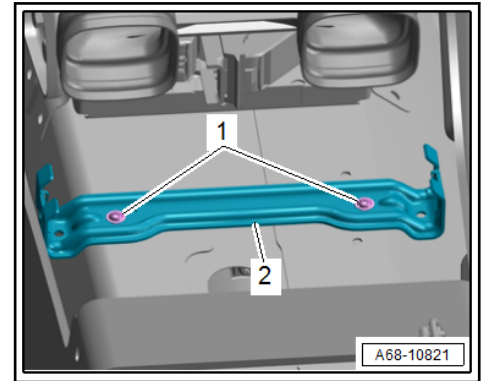
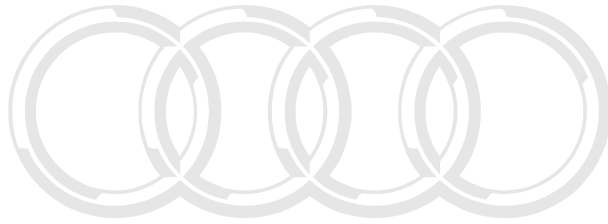
Installing

Install in reverse order of removal.

Installation instructions: for example tightening specifications, replacing components. Refer to ⇒ [-3.1 Center Console](#), page 61.

3.15.2 Center Console Bracket, Removing and Installing, From Product Improvement

Removing



- Remove the center console. Refer to ⇒ [C3.10 onsole, Removing and Installing](#), page 82.
- Equipped on some models: remove the rear heater and A/C unit. Refer to ⇒ [Heating, Ventilation and Air Conditioning](#), Rep. Gr. 87; [Rear Heater and A/C Unit, Heater and A/C Unit, Removing and Installing](#).
- Equipped on some models: remove the rear air duct. Refer to ⇒ [Heating, Ventilation and Air Conditioning](#); Rep. Gr. 87; [Air Routing](#); [Overview - Air Routing and Air Distribution in Vehicle Interior](#).
- Unclip the wires on the bracket and free them up.
- Remove the bolts -1-.
- Remove the center console bracket -2-.

Installing

Install in reverse order of removal.

Installation instructions: for example tightening specifications, replacing components. Refer to ⇒ [-3.1 Center Console”, page 61](#).

3.16 Display Control Head Trim, Removing and Installing

⇒ [C3.16.1 onsole Insert Trim, Removing and Installing, Before Product Improvement”, page 92](#)

⇒ [S3.16.2 ystem Display Control Head Trim, Removing and Installing, Before Product Improvement”, page 93](#)

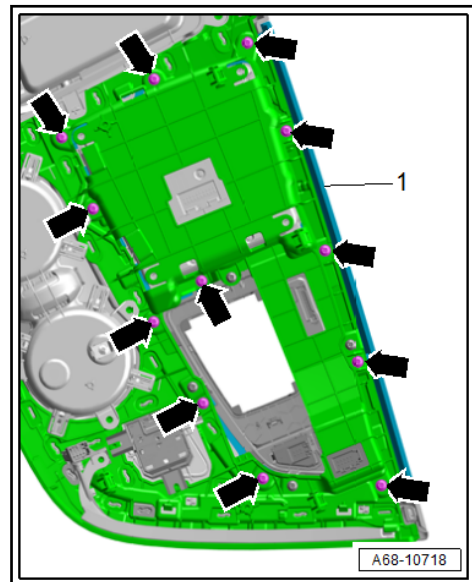
⇒ [S3.16.3 eat Heating Button/Socket Trim, Removing and Installing, Before Product Improvement”, page 93](#)

⇒ [C3.16.4 ontrol Head Trim, Removing and Installing, From Product Improvement”, page 94](#)

with respect to the correctness of information in this document. Copyright by AUDI AG.

3.16.1 Center Console Insert Trim, Removing and Installing, Before Product Improvement

Removing



- Remove the center console insert. Refer to ⇒ [C3.7 onsole Insert, Removing and Installing”, page 78](#).
- Place the center console insert on a soft surface.
- Remove the bolts -arrows-.
- Remove the decorative trim -1-.

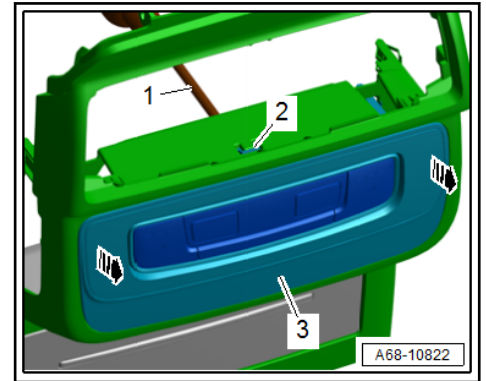
Installing

Install in reverse order of removal.

Installation instructions: for example tightening specifications, replacing components. Refer to ⇒ [-3.1 Center Console”, page 61](#) .

3.16.2 A/C System Display Control Head Trim, Removing and Installing, Before Product Improvement

Removing



- Remove the center console rear trim. Refer to ⇒ [C3.2 onsole Rear Trim, Removing and Installing”, page 73](#) .
- Release the tab -2- using a screwdriver -1- and remove the trim at the same time.
- Release the rest of the tabs and remove the display control head trim -3- -arrows-.

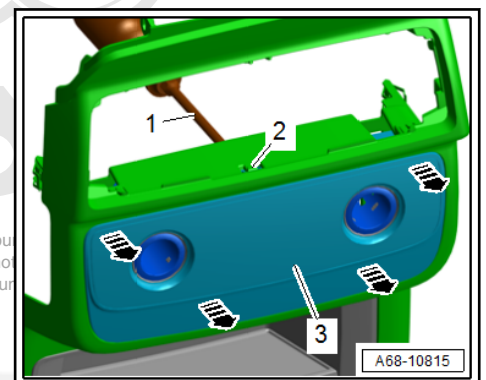
Installing

Install in reverse order of removal.

Installation instructions: for example tightening specifications, replacing components. Refer to ⇒ [-3.1 Center Console”, page 61](#) .

3.16.3 Rear Seat Heating Button/Socket Trim, Removing and Installing, Before Product Improvement

Removing



Protected by copyright. Copying for private or commercial purposes is not permitted unless authorised by AUDI AG. AUDI AG does not accept any liability with respect to the correctness of information in this document.

- Remove the center console rear trim. Refer to ⇒ [C3.2 onsole Rear Trim, Removing and Installing”, page 73](#) .
- Release the tab -2- using a screwdriver -1- and remove the trim at the same time.

- Release the rest of the tabs and remove the socket/button trim -3- -arrows-.

Installing

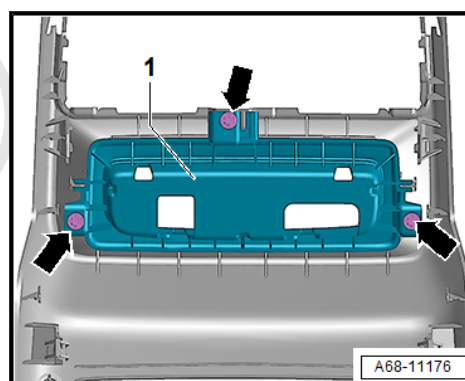
Install in reverse order of removal.

Installation instructions: for example tightening specifications, replacing components. Refer to ⇒ [-3.1 Center Console”, page 61](#) .

3.16.4 Display Control Head Trim, Removing and Installing, From Product Improvement

The removal of socket trim is the same.

Removing



- Remove the center console rear trim. Refer to ⇒ [C3.2 onsole Rear Trim, Removing and Installing”, page 73](#) .
- Place the trim on a soft and clean surface.
- Remove the bolts -arrows-.
- Remove trim -1-.

Installing

Install in reverse order of removal.

Installation instructions: for example tightening specifications, replacing components. Refer to ⇒ [-3.1 Center Console”, page 61](#) .

4 Front Center Armrest

⇒ [-4.1 Front Center Armrest](#), page 95

⇒ [C4.2 enter Armrest, Removing and Installing](#), page 96

4.1 Overview - Front Center Armrest

1 - Center Console

- ❑ Overview. Refer to ⇒ [-3.1 Center Console](#), page 61 .

2 - Front Center Armrest

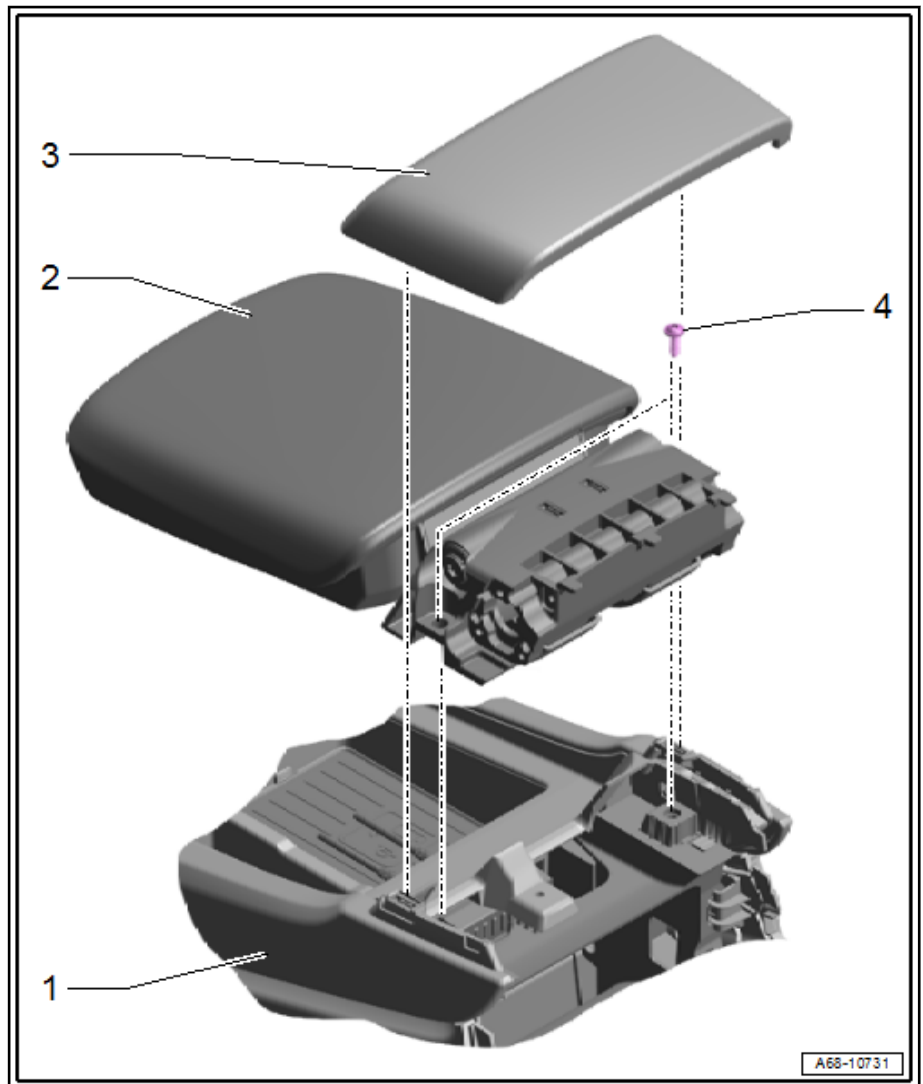
- ❑ Removing and Installing. Refer to ⇒ [C4.2 enter Armrest, Removing and Installing](#), page 96 .

3 - Cover

- ❑ Replace damaged or deformed clips
- ❑ Press on until it engages audibly
- ❑ Removing and Installing. Refer to ⇒ [C3.2 onsole Rear Trim, Removing and Installing](#), page 73 .

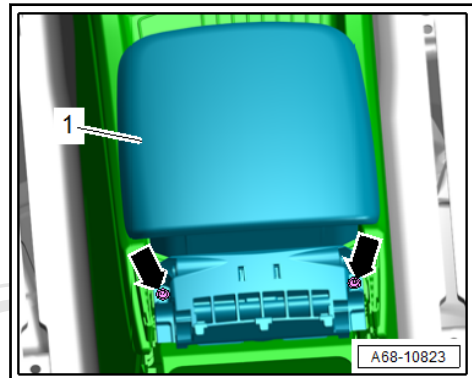
4 - Bolt

- ❑ Quantity: 2
- ❑ 20 Nm



4.2 Front Center Armrest, Removing and Installing

Removing



- Remove the center console rear trim. Refer to [⇒ C3.2 onsole Rear Trim, Removing and Installing](#), page 73 .
- Remove the bolts -arrows-.
- Remove the front center armrest -1-.

Installing

Install in reverse order of removal.

Installation instructions: for example tightening specifications, replacing components. Refer to [⇒ -4.1 Front Center Armrest](#), page 95 .

Copying for private or commercial purposes, in part or in whole, is not permitted unless authorised by AUDI AG. AUDI AG does not guarantee or accept any liability with respect to the correctness of information in this document. Copyright by AUDI AG.