

Car telephone / mobile phone lift mechanism in center armrest, removing and installing

1 - Center armrest



Note

For clarity, illustration shows components removed from vehicle and without cover.

2 - Lift mechanism for car telephone / mobile phone

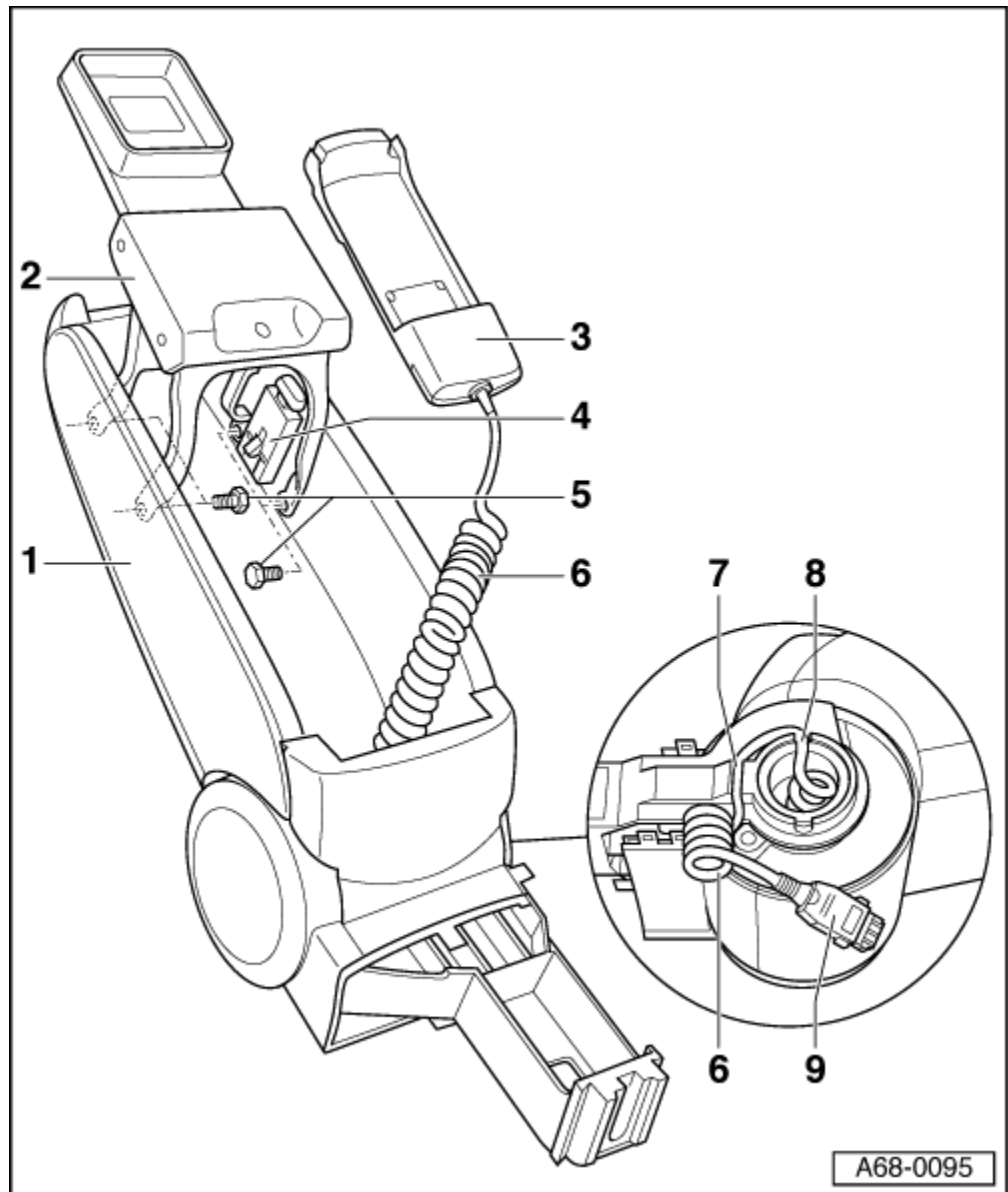
- ◆ Removing
 - Release lift mechanism -2-.
 - Warm bolts -5- using a soldering iron until smoke rises and then loosen the bolts with a jolt.
 - Remove bolts -5- (4x).
- ◆ Installing
 - Always use new bolts.

3 - Carrier for mobile phone

- ◆ Removing
 - Remove center armrest
→ Chapter.
 - Remove right-hand hinge trim
→ Chapter.
 - Release wire -6- from mounts -7- and -8-.
 - Pull wire -6- through to the inside with connector -9-.
- ◆ Installing
 - Make sure that wire -6- is not trapped.

4 - Release catch for lift mechanism

- ◆ Removing
 - Use a screwdriver to pry out release catch -4- at top.
 - Press out lift release catch -4- at bottom.



- ◆ Installing
- Insert at bottom first.

5 - Bolts (4x)

- Before removing, warm bolts -5- using a soldering iron until smoke rises and then loosen the bolts with a jolt.
- Always replace
- Before installing new bolts, clean out threads in threaded inserts (re-tap). .
- Tightening torque 2 Nm

6 - Wire

7 - Mount

8 - Mount

9 - Connector